

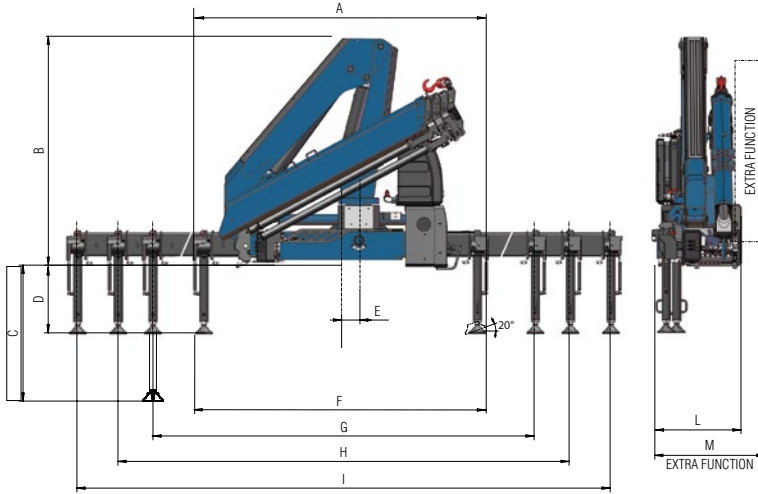
New Generation  
**811NG**



**AMCO**  **VEBA**  
LIFTING BEYOND HORIZONS

# New Generation

## Technical data 811NG



| 1S | kg | 10535 | 2580 | 1820 |
|----|----|-------|------|------|
|    | m  | 1,00* | 4,10 | 5,79 |

| 2S | kg | 9955  | 2475 | 1715 | 1320 | 865  | 720   |
|----|----|-------|------|------|------|------|-------|
|    | m  | 1,00* | 4,11 | 5,79 | 7,48 | 9,36 | 11,23 |

| 3S | kg | 9185  | 2280 | 1565 | 1185 | 945  | 720   | 575   |
|----|----|-------|------|------|------|------|-------|-------|
|    | m  | 1,00* | 4,19 | 5,87 | 7,56 | 9,36 | 11,23 | 13,27 |

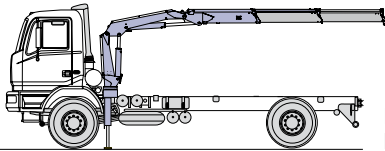
| 4S | kg | 8775  | 2170 | 1475 | 1100 | 865  | 715   | 575   |
|----|----|-------|------|------|------|------|-------|-------|
|    | m  | 1,00* | 4,27 | 5,95 | 7,64 | 9,44 | 11,24 | 13,27 |

\*) theoretical lifting capacity

|   | 1S      | 2S      | 3S      | 4S      |
|---|---------|---------|---------|---------|
| A | 2310    | 2310    | 2310    | 2310    |
| B | 2100    | 2100    | 2100    | 2100    |
| C | 1325    | 1325    | 1325    | 1325    |
| D | 635/690 | 635/690 | 635/690 | 635/690 |
| E | 160     | 160     | 160     | 160     |
| F | 2305    | 2305    | 2305    | 2305    |
| G | 3300    | 3300    | 3300    | 3300    |
| H | 4805    | 4805    | 4805    | 4805    |
| I | 5765    | 5765    | 5765    | 5765    |
| L | 840     | 840     | 840     | 840     |
| M | 890     | 890     | 890     | 945     |

### Standard

- Designed in accordance with EN12999:2020 + EN13849
- Design class: HC1-HD4
- Cross controls
- Flanged valves
- Oil tank
- Manually extendable stabilizers
- Fixed stabilizer cylinders
- Swivel stabilizer foot
- Centralized greasing system
- SGS Sprint Generation System
- SDD Soft Descent Drive
- A Class - Crane Control System (CE)
- LED panel - Human Machine Interface



Recommended truck:  
M.T.T. ton 10 - G.V.W. ton 10

|    | Lifting Moment | Slewing Angle | Working pressure | Oil tank capacity | Oil flow | Max Vertical Reach (Hydr) | Crane weight without stabilizers |
|----|----------------|---------------|------------------|-------------------|----------|---------------------------|----------------------------------|
|    | tm             | °             | bar              | l                 | l/min    | m                         | kg                               |
| 1S | 10,5           | 425           | 310              | 75                | 40       | 9,2                       | 1080                             |
| 2S | -              | 425           | 310              | 75                | 40       | 10,8                      | 1180                             |
| 3S | -              | 425           | 310              | 75                | 40       | 12,6                      | 1270                             |
| 4S | -              | 425           | 310              | 75                | 40       | 14,4                      | 1360                             |

**AMCO VEBA**  
LIFTING BEYOND HORIZONS

H.C.E. SpA  
Via Einstein, 4  
42028 Poggio (RE) Italy  
Tel. +39 0522 40.80.11  
Fax +39 0522 40.80.80  
info@amcoveba.it  
commerciale@amcoveba.it  
www.amcoveba.com



Dealer