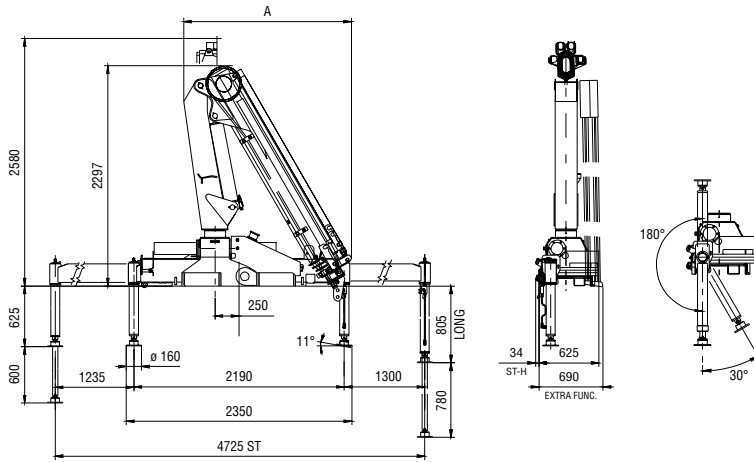


# 811 NT



**AMCO / VEBA**  
LIFTING BEYOND HORIZONS

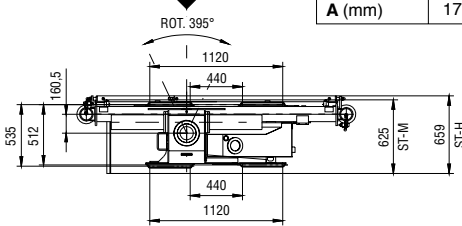
## Technical data



DEAD POINT SIDE

	2S	3S	4S
A (mm)	1700	1750	1750

ROT. 395°



**2S**

kg	10350	3980	2370	1655	1290	960
m	1,00*	2,60	4,30	6,05	7,44	9,32

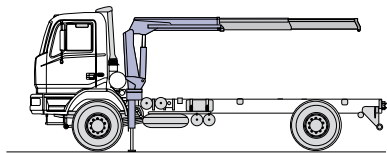
**3S**

kg	10200	3585	2175	1525	1180	960
m	1,00*	2,85	4,55	6,30	8,05	9,32

**4S**

kg	10100	3870	2245	1535	1160	935
m	1,00*	2,60	4,30	6,05	7,80	9,60

\*) theoretical lifting capacity



Recommended truck:  
M.T.T. ton 10 - G.V.W. ton 10

FOR NON-CE MARKET ONLY

**AMCO VEB**  
LIFTING BEYOND HORIZONS

H.C.E. SpA  
Via Einstein, 4  
42028 Poggio (RE) Italy  
Tel. +39 0522 40.80.11  
Fax +39 0522 40.80.80  
info@amcoveba.it  
commerciale@amcoveba.it  
www.amcoveba.com



## Standard

- Designed in accordance with EN12999:2020 + EN13849
- Design class: HC1-D4
- Sliding pads on telescopic extensions
- Self-lubricating bushings
- JIC fittings
- Hexagonal section extensions
- Independent extension cylinders
- Flanged valves
- Assembly kit included
- Oil tank
- Supplementary elements activation
- Amco Veba Power System (AVPS)
- Swivel outrigger foot
- Dual-side controls (No with radio remote control)
- Turning stabilizer legs

	Lifting Moment	Slewing Angle	Working pressure	Oil tank capacity	Oil flow	Max Vertical Reach (Hydr)	Crane weight without stabilizers
	tm	°	bar	l	l/min	m	kg
2S	10,3	395	295	60	20	9,46	1190
3S	10,2	395	295	60	20	11,45	1270
4S	10,1	395	295	60	20	13,00	1335

Dealer