

New Generation

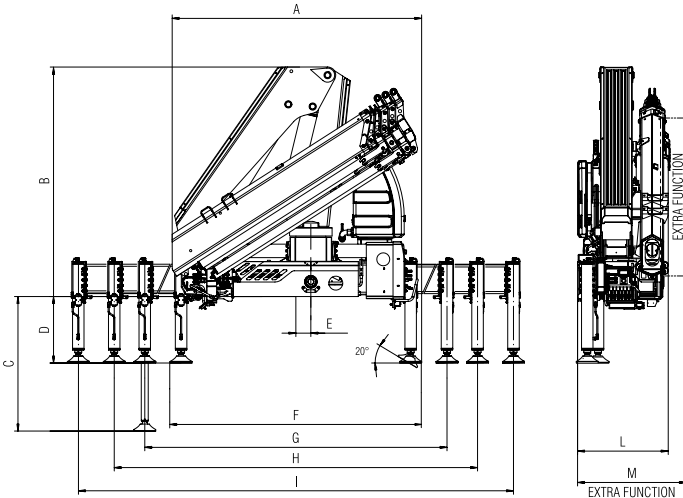
**813NG**

**817NG**



**AMCO / VEBA**  
LIFTING BEYOND HORIZONS

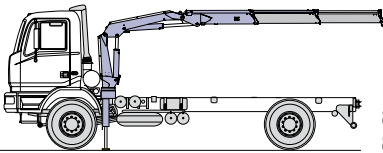
## Technical data 813NG - 817NG



	813NG					817NG				
	1S	2S	3S	4S	5S	1S	2S	3S	4S	5S
A	2480	2480	2480	2480	2480	2490	2490	2490	2490	2490
B	2295	2295	2295	2295	2295	2295	2295	2295	2295	2295
C	1374	1374	1374	1374	1374	1355	1355	1355	1355	1355
D	682	682	682	682	682	673	673	673	673	673
E	160	160	160	160	160	160	160	160	160	160
F	2445	2445	2445	2445	2445	2470	2470	2470	2470	2470
G	4200	4200	4200	4200	4200	4225	4225	4225	4225	4225
H	5400	5400	5400	5400	5400	5425	5425	5425	5425	5425
I	6600	6600	6600	6600	6600	6625	6625	6625	6625	6625
L	825	825	825	825	895	825	825	825	825	905
M	930	930	930	930	975	940	940	940	940	985

	813NG							
	kg	12440	2740	1940				
m	1,00*	4,54	6,34					
kg	15840	3490	2475					
m	1,00*	4,54	6,34					
	817NG							
	kg	11850	2610	1810	1395	1010	755	
m	1,00*	4,54	6,34	8,14	10,36	12,34	14,39	
kg	15030	3310	2305	1775	1305	980	740	
m	1,00*	4,54	6,34	8,14	10,36	12,34	14,39	
	813NG							
	kg	11430	2475	1690	1280	1015	755	
m	1,00*	4,62	6,42	8,22	10,20	12,34	14,39	16,49
kg	14550	3150	2170	1645	1305	980	740	535
m	1,00*	4,62	6,42	8,22	10,20	12,34	14,39	16,49
	817NG							
	kg	11090	2355	1585	1175	910	755	
m	1,00*	4,71	6,51	8,31	10,29	12,27	14,39	16,49
kg	14150	3005	2040	1520	1185	980	740	535
m	1,00*	4,71	6,51	8,31	10,29	12,27	14,39	16,49
	813NG							
	kg	10730	2245	1490	1085	825	665	
m	1,00*	4,78	6,58	8,38	10,36	12,34	14,39	16,49
kg	13740	2875	1925	1410	1080	875	740	535
m	1,00*	4,78	6,58	8,38	10,36	12,34	14,39	16,49

\*) theoretical lifting capacity



Recommended truck:  
**813NG** - M.T.T. ton 12 - G.V.W. ton 12  
**817NG** - M.T.T. ton 15 - G.V.W. ton 15

**AMCO VEBA**  
 LIFTING BEYOND HORIZONS

H.C.E. SpA  
 Via Einstein, 4  
 42028 Poggio (RE) Italy  
 Tel. +39 0522 40.80.11  
 Fax +39 0522 40.80.80  
 info@amcoveba.it  
 commerciale@amcoveba.it  
 www.amcoveba.com



ISO 9001 • ISO 14001

### Standard

- Designed in accordance with EN12999:2020 + EN13849
- Design class: HC1-HD4
- Cross controls
- Load limit device
- Flanged valves
- Oil tank
- Manually extendable stabilizers
- Internal stabilizer pipes
- Fixed stabilizer cylinders
- Swivel stabilizer foot
- Centralized greasing system
- SGS Sprint Generation System
- SDD Soft Descent Drive
- A Class - Crane Control System (CE)
- LED panel - Human Machine Interface

	Lift Moment	Slewing Angle	Working pressure	Oil tank capacity	Oil flow	Max Vertical Reach (Hydr)	Crane weight without stabilizers
	tm	°	bar	l	l/min	m	kg
<b>813NG</b>							
<b>1S</b>	12,4	425	285	130	60	9,9	1335
<b>2S</b>	-	425	285	130	60	11,7	1455
<b>3S</b>	-	425	285	130	60	13,7	1570
<b>4S</b>	-	425	285	130	60	15,7	1660
<b>5S</b>	-	425	285	130	60	17,8	1745
<b>817NG</b>							
<b>1S</b>	15,8	425	280	130	60	9,9	1525
<b>2S</b>	-	425	280	130	60	11,7	1660
<b>3S</b>	-	425	280	130	60	13,7	1775
<b>4S</b>	-	425	280	130	60	15,7	1880
<b>5S</b>	-	425	280	130	60	17,8	1970

Dealer

Data, descriptions, and illustrations pertain only and uniquely to models sold at the time of printing of this brochure. After the date of printing, this information is purely indicative and not binding upon H.C.E. Future modifications are solely at the discretion of H.C.E. and are always in compliance with applicable and pertinent safety standards. To obtain updated data, descriptions, and illustrations, contact the manufacturer or your reseller. Cranes manufactured and/or marketed by H.C.E. are not responsible for the special applications depicted. Crane applications and accessories described herein are only examples. Some applications and equipment shown may not be approved for use in CE countries or other areas. It is the installer's responsibility to ensure that the crane is applied correctly, and that its application, installation, and accessories maintain safety and comply with all local laws.