

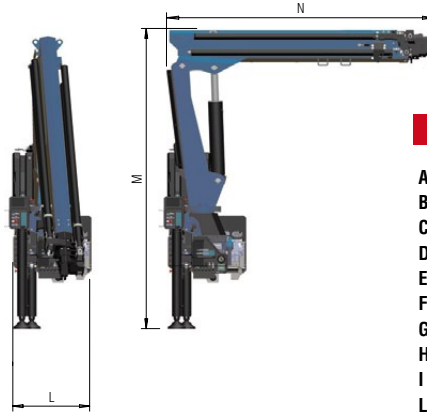
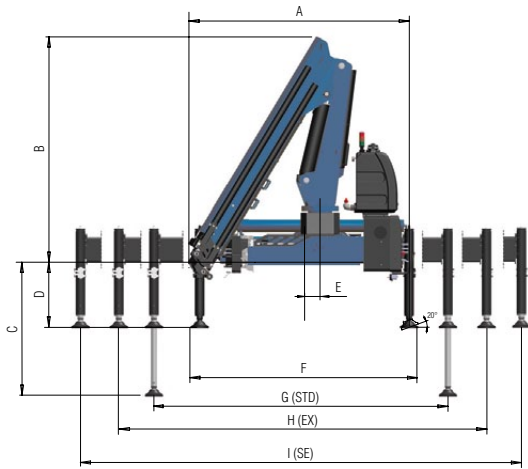
New Generation
818NG
T



AMCO  **VEBA**
LIFTING BEYOND HORIZONS

New Generation

Technical data 818NG T



	2S	3S	4S
A	2485	2485	2485
B	2300	2300	2300
C	1355	1355	1355
D	618/673	618/673	618/673
E	160	160	160
F	2470	2470	2470
G	4225	4225	4225
H	5425	5425	5425
I	6625	6625	6625
L	840	840	840
M	2620	2620	2620
N	2970	3050	3130

2S

kg	16430	6370	3695	2600
m	1,00*	2,58	4,38	6,18

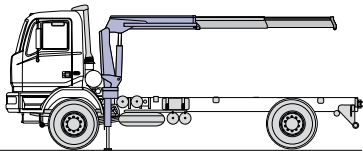
3S

kg	16270	6115	3535	2470	1855
m	1,00*	2,66	4,46	6,26	8,24

4S

kg	15970	5830	3365	2325	1725	1380
m	1,00*	2,74	4,54	6,34	8,32	10,30

*) theoretical lifting capacity



Recommended truck:
M.T.T. ton 18 - G.V.W. ton 18

Standard

- Designed in accordance with EN12999:2020 + EN13849
- Design class: HC1-D4
- Cross controls
- Load limit device
- Flanged valves
- Oil tank
- Manually extendable stabilizers
- Internal stabilizer pipes
- Fixed stabilizer cylinders
- Swivel stabilizer foot
- Centralized greasing system
- SDD Smooth Descent Drive
- A Class - Crane Control System (CE)
- LED panel - Human Machine Interface

	Lifting Moment	Swinging Angle	Working pressure	Oil tank capacity	Oil flow	Max Vertical Reach (Hydr)	Crane weight without stabilizers
	tm	°	bar	l	l/min	m	kg
2S	16,4	425	290	130	60	9,8	1370
3S	16,3	425	290	130	60	11,8	1485
4S	16,0	425	290	130	60	13,8	1575

AMCO VEBA
LIFTING BEYOND HORIZONS

H.C.E. SpA
Via Einstein, 4
42028 Poviglio (RE) Italy
Tel. +39 0522 40.80.11
Fax +39 0522 40.80.80
info@amcoveba.it
commerciale@amcoveba.it
www.amcoveba.com



ISO 9001 • ISO 14001

Dealer