

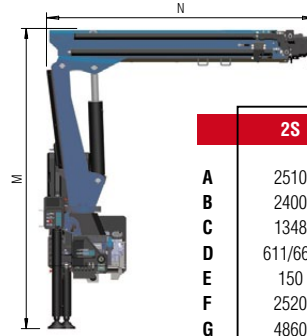
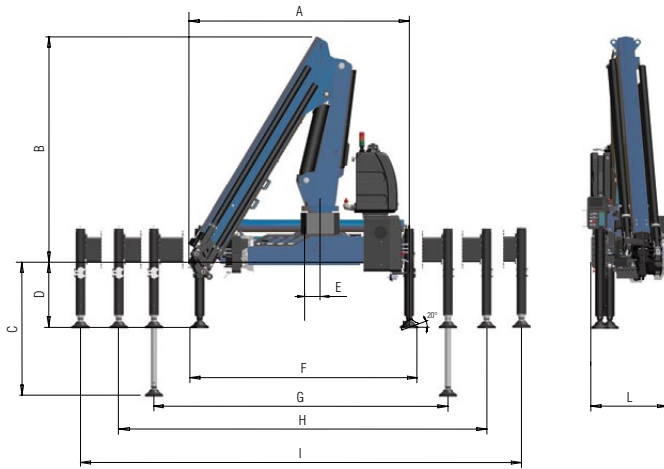
New Generation
821NG
T



AMCO  **VEBA**
LIFTING BEYOND HORIZONS

New Generation

Technical data 821NG T



	2S	3S	4S	5S
A	2510	2510	2540	2540
B	2400	2400	2400	2400
C	1348	1348	1348	1348
D	611/666	611/666	611/666	611/666
E	150	150	150	150
F	2520	2520	2520	2520
G	4860	4860	4860	4860
H	5500	5500	5500	5500
I	7420	7420	7420	7420
L	870	870	870	870
M	2685	2685	2685	2685
N	2850	2935	3020	3100

2S

kg	20230	8335	4790	3360
m	1,00*	2,42	4,22	6,02

3S

kg	20700	8250	4750	3400	2495
m	1,00*	2,51	4,31	6,11	8,04

4S

kg	20540	7930	4660	3250	2440	1895
m	1,00*	2,59	4,39	6,19	8,13	10,07

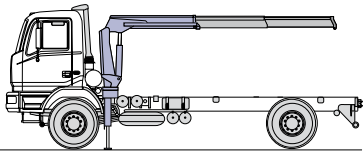
5S

kg	19000	7115	4220	2935	2170	1755	1375
m	1,00*	2,67	4,47	6,27	8,21	10,15	12,08

*) theoretical lifting capacity

Standard

- Designed in accordance with EN12999:2020 + EN13849
- Design class: HC1-D4
- Cross controls
- Load limit device
- Flanged valves
- Oil tank
- Manually extendable stabilizers
- Internal stabilizer pipes
- Fixed stabilizer cylinders
- Swivel stabilizer foot
- Centralized greasing system
- SDD Smooth Descent Drive
- A Class - Crane Control System (CE)
- LED panel - Human Machine Interface



Recommended truck:
M.T.T. ton 18 - G.V.W. ton 18

	Lifting Moment	Swiveling Angle	Working pressure	Oil tank capacity	Oil flow	Max Vertical Reach (Hydr)	Crane weight without stabilizers
	tm	°	bar	l	l/min	m	kg
2S	20,2	415	315	130	70	9,7	1680
3S	20,7	415	315	130	70	11,7	1825
4S	20,5	415	315	130	70	13,7	1945
5S	19,0	415	300	130	70	15,7	2040

AMCO VEBA
LIFTING BEYOND HORIZONS

H.C.E. SpA
Via Einstein, 4
42028 Poviglio (RE) Italy
Tel. +39 0522 40.80.11
Fax +39 0522 40.80.80
info@amcoveba.it
commerciale@amcoveba.it
www.amcoveba.com



ISO 9001 • ISO 14001

Dealer