

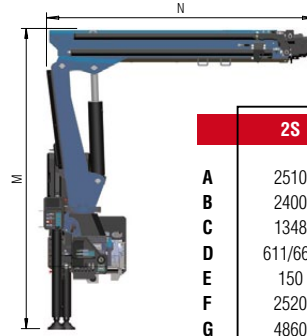
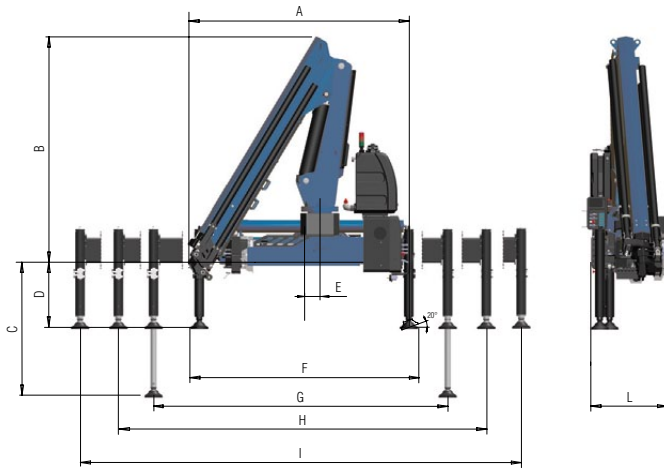
New Generation
824NG
T



AMCO  **VEBA**
LIFTING BEYOND HORIZONS

New Generation

Technical data 824NG T



	2S	3S	4S	5S
A	2510	2510	2540	2540
B	2400	2400	2400	2400
C	1348	1348	1348	1348
D	611/666	611/666	611/666	611/666
E	150	150	150	150
F	2520	2520	2520	2520
G	4860	4860	4860	4860
H	5500	5500	5500	5500
I	7420	7420	7420	7420
L	870	870	870	870
M	2685	2685	2685	2685
N	2850	2935	3020	3100

2S

kg	21070	8480	4930	3500
m	1,00*	2,42	4,22	6,02

3S

kg	21080	8390	4890	3440	2630
m	1,00*	2,51	4,31	6,11	8,04

4S

kg	20910	8075	4705	3295	2490	2000
m	1,00*	2,59	4,39	6,19	8,13	10,07

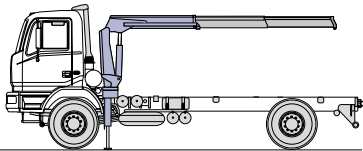
5S

kg	19440	7250	4350	3020	2260	1820	1485
m	1,00*	2,67	4,47	6,27	8,21	10,15	12,08

*) theoretical lifting capacity

Standard

- Designed in accordance with EN12999:2020 + EN13849
- Design class: HC1-D4
- Cross controls
- Load limit device
- Flanged valves
- Oil tank
- Manually extendable stabilizers
- Internal stabilizer pipes
- Fixed stabilizer cylinders
- Swivel stabilizer foot
- Centralized greasing system
- SDD Smooth Descent Drive
- A Class - Crane Control System (CE)
- LED panel - Human Machine Interface



Recommended truck:
M.T.T. ton 20 - G.V.W. ton 20

	Lifting Moment	Swiveling Angle	Working pressure	Oil tank capacity	Oil flow	Max Vertical Reach (Hydr)	Crane weight without stabilizers
	tm	°	bar	l	l/min	m	kg
2S	20,5	415	335	130	70	9,7	1680
3S	21,0	415	335	130	70	11,7	1825
4S	20,9	415	335	130	70	13,7	1945
5S	19,4	415	320	130	70	15,7	2040

AMCO VEBA
LIFTING BEYOND HORIZONS

H.C.E. SpA
Via Einstein, 4
42028 Poviglio (RE) Italy
Tel. +39 0522 40.80.11
Fax +39 0522 40.80.80
info@amcoveba.it
commerciale@amcoveba.it
www.amcoveba.com



Dealer