

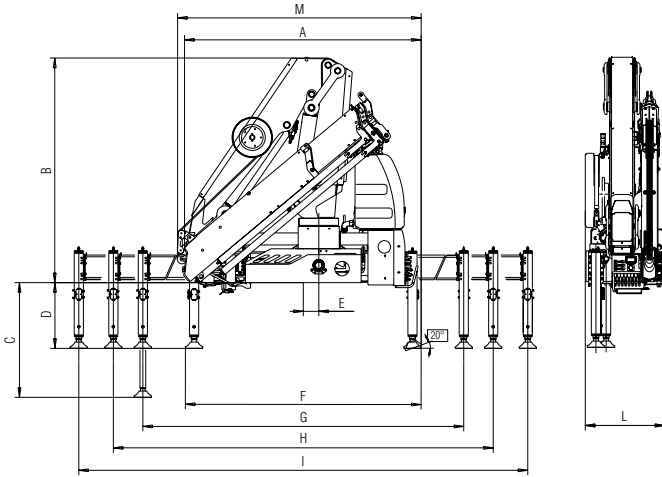
New Generation
914NG C
917NG C



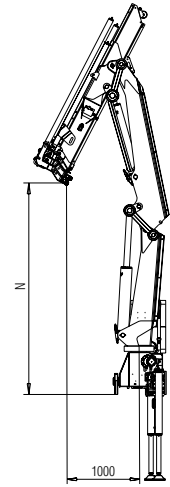
AMCO  **VEBA**
LIFTING BEYOND HORIZONS

New Generation

Technical data 914NG C - 917NG C



	914NG C		917NG C	
	2S	3S	2S	3S
A	2455	2455	2390	2390
B	2330	2330	2330	2330
C	1374	1374	1355	1355
D	682	682	673	673
E	160	160	160	160
F	2445	2445	2470	2470
G	4200	4200	4225	4225
H	5400	5400	5425	5425
I	6600	6600	6625	6625
L	825	825	825	825
N	3000	2915	2965	2880
M	2525	2525	2465	2465



914NG C 2S

kg	1250	3210	2310	1700
m	1,00*	3,90	5,30	7,10

914NG C 3S

kg	1270	3080	2200	1600	1250
m	1,00*	3,95	5,38	7,20	9,15

917NG C 2S

kg	15440	4010	2940	2115
m	1,00*	3,85	5,18	7,13

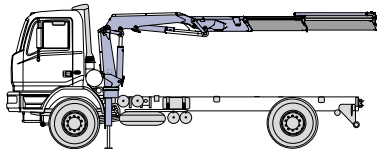
917NG C 3S

kg	15050	3860	2805	1990	1530
m	1,00*	3,90	5,23	7,18	9,23

*) theoretical lifting capacity

Standard

- Designed in accordance with EN12999:2020 + EN13849
- Design class: HC1-HD4
- Cross controls
- Load limit device
- Flanged valves
- Oil tank
- Manually extendable stabilizers
- Internal stabilizer pipes
- Fixed stabilizer cylinders
- Swivel stabilizer foot
- Centralized greasing system
- Double linkage
- SGS Sprint Generation System
- SDD Soft Descent Drive
- A Class - Crane Control System (CE)
- LED panel - Human Machine Interface



Recommended truck **914NG C** - M.T.T. ton 12 - G.V.W. ton 12
917NG C - M.T.T. ton 15 - G.V.W. ton 15

AMCO VEBA
 LIFTING BEYOND HORIZONS

H.C.E. SpA
 Via Einstein, 4
 42028 Poggio (RE) Italy
 Tel. +39 0522 40.80.11
 Fax +39 0522 40.80.80
 info@amcoveba.it
 commerciale@amcoveba.it
 www.amcoveba.com



	Lift Moment	Slewing Angle	Working pressure	Oil tank capacity	Oil flow	Max Vertical Reach (Hydr)	Crane weight without stabilizers
	tm	°	bar	l	l/min	m	kg
914NG C							
2S	12,5	425	300	130	60	10,9	1525
3S	-	425	300	130	60	12,9	1625
917NG C							
2S	15,4	425	300	130	60	10,9	1630
3S	-	425	300	130	60	12,9	1755

Dealer