

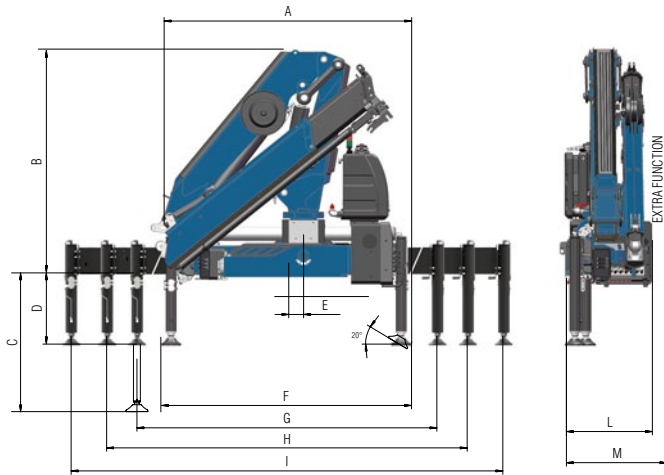
New Generation
911NG
C



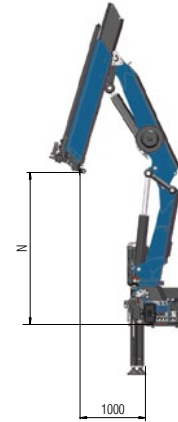
AMCO  **VEBA**
LIFTING BEYOND HORIZONS

New Generation

Technical data 911NG C



	2S	3S
A	2280	2280
B	2110	2110
C	1382	1382
D	635/690	635/690
E	160	160
F	2305	2305
G	3300	3300
H	4805	4805
I	5765	5765
L	840	840
M	840	885
N	2260	2183



2S

kg	9590	2665	1875	1370
m	1,00*	3,60	5,04	6,85

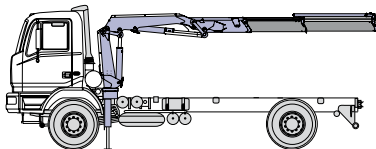
3S

kg	9285	2530	1760	1265	975
m	1,00*	3,65	5,11	6,92	8,87

*) theoretical lifting capacity

Standard

- Designed in accordance with EN12999:2020 + EN13849
- Design class: HC1-S2
- Cross controls
- Load limit device
- Flanged valves
- Oil tank
- Manually extendable stabilizers
- Internal stabilizer pipes
- Fixed stabilizer cylinders
- Swivel stabilizer foot
- Centralized greasing system
- Double linkage
- SGS Sprint Generation System
- SDD Soft Descent Drive
- A Class - Crane Control System (CE)
- LED panel - Human Machine Interface



Recommended truck:
M.T.T. ton 10 - G.V.W. ton 10

	Lifting Moment	Swinging Angle	Working pressure	Oil tank capacity	Oil flow	Max Vertical Reach (Hydr)	Crane weight without stabilizers
	tm	°	bar	l	l/min	m	kg
2S	9,5	425	315	75	40	10,3	1230
3S	-	425	315	75	40	12,4	1340

AMCO VEBA
LIFTING BEYOND HORIZONS

H.C.E. SpA
Via Einstein, 4
42028 Poggio (RE) Italy
Tel. +39 0522 40.80.11
Fax +39 0522 40.80.80
info@amcoveba.it
commerciale@amcoveba.it
www.amcoveba.com



Dealer