

Specialized cranes for  
agricultural tractors

**PALM  
Series**

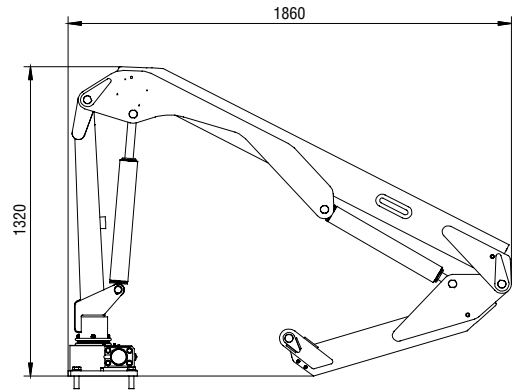
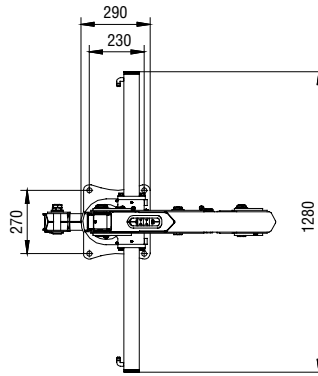
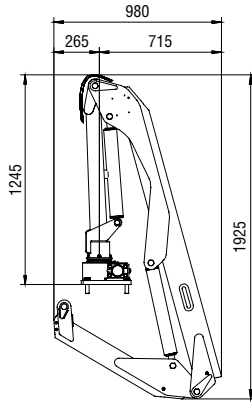


**AMCO**  **VEBA**  
LIFTING BEYOND HORIZONS

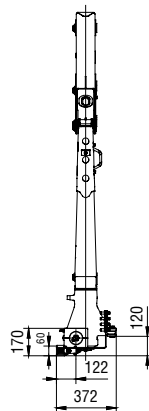
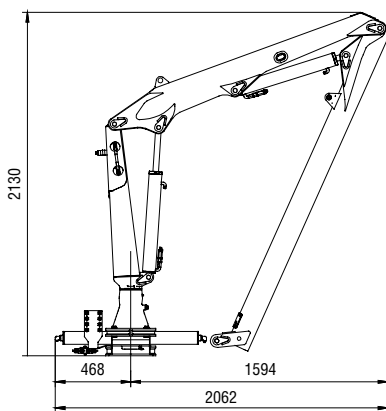
## Technical data

**801N**

**802N**



**8.370**



**801N**

kg 125  
m 2,80

**802N**

kg 290  
m 2,80

**8.370**

kg 260  
m 3,85

**FOR NON-CE MARKET ONLY**

### Standard

- Designed in accordance with EN12999:2020
- Design class: HC1-S2
- Easy to use and maintain
- Cable controls
- Hexagonal boom
- Rack and Pinion heavy duty slewing
- Internal extension cylinder
- Reinforced rack, pinion and gear (801N - 802N)
- Double rack and pinion heavy duty slewing (8.370)
- Floating device
- 4 functions control valve by Walvoil
- Long life painting
- Full packages:
  - 3 jaws grab - Self weight: 35 kg, Capacity: 50 dm<sup>3</sup>
  - 4 jaws grab - Self weight: 75 kg, Capacity: 100 dm<sup>3</sup>
- Oil tank

	Lifting Moment	Slewing Angle	Working pressure	Oil flow	Max Vertical Reach (Hydr)	Crane weight without manual extension	Recommended tractor
	tm	°	bar	l/min	m	kg	hp
<b>801N</b>	0,5	330	90	12	3,7	195	25-65
<b>802N</b>	1,0	330	160	12	3,7	198	25-65
<b>8.370</b>	0,90	370	137	12	5,7	202	50+

**AMCO VEB**  
LIFTING BEYOND HORIZONS

H.C.E. SpA  
Via Einstein, 4  
42028 Poggio (RE) Italy  
Tel. +39 0522 40.80.11  
Fax +39 0522 40.80.80  
info@amcoveba.it  
commerciale@amcoveba.it  
www.amcoveba.com



Dealer