

Specialized cranes for
agricultural tractors

**PALM
Series**

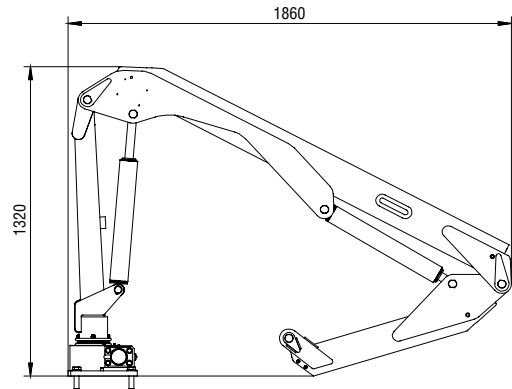
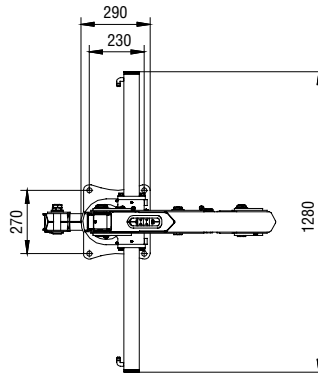
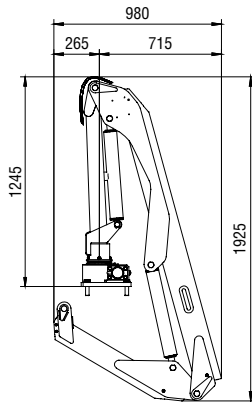


AMCO  **VEBA**
LIFTING BEYOND HORIZONS

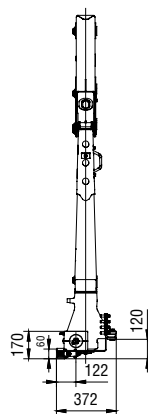
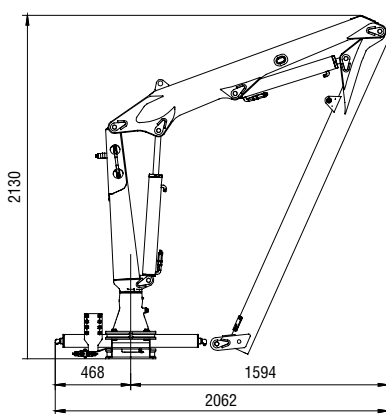
Technical data

801N

802N



8.370



801N

kg 125
m 2,80

802N

kg 290
m 2,80

8.370

kg 260
m 3,85

FOR NON-CE MARKET ONLY

Standard

- Designed in accordance with EN12999:2020
- Design class: HC1-S2
- Easy to use and maintain
- Cable controls
- Hexagonal boom
- Rack and Pinion heavy duty slewing
- Internal extension cylinder
- Reinforced rack, pinion and gear (801N - 802N)
- Double rack and pinion heavy duty slewing (8.370)
- Floating device
- 4 functions control valve by Walvoil
- Long life painting
- Full packages:
 - 3 jaws grab - Self weight: 35 kg, Capacity: 50 dm³
 - 4 jaws grab - Self weight: 75 kg, Capacity: 100 dm³
- Oil tank

| | Lifting Moment | Slewing Angle | Working pressure | Oil flow | Max Vertical Reach (Hydr) | Crane weight without manual extension | Recommended tractor |
|--------------|----------------|---------------|------------------|----------|---------------------------|---------------------------------------|---------------------|
| | tm | ° | bar | l/min | m | kg | hp |
| 801N | 0,5 | 330 | 90 | 12 | 3,7 | 195 | 25-65 |
| 802N | 1,0 | 330 | 160 | 12 | 3,7 | 198 | 25-65 |
| 8.370 | 0,90 | 370 | 137 | 12 | 5,7 | 202 | 50+ |

AMCO VEB
LIFTING BEYOND HORIZONS

H.C.E. SpA
Via Einstein, 4
42028 Poggio (RE) Italy
Tel. +39 0522 40.80.11
Fax +39 0522 40.80.80
info@amcoveba.it
commerciale@amcoveba.it
www.amcoveba.com



Dealer