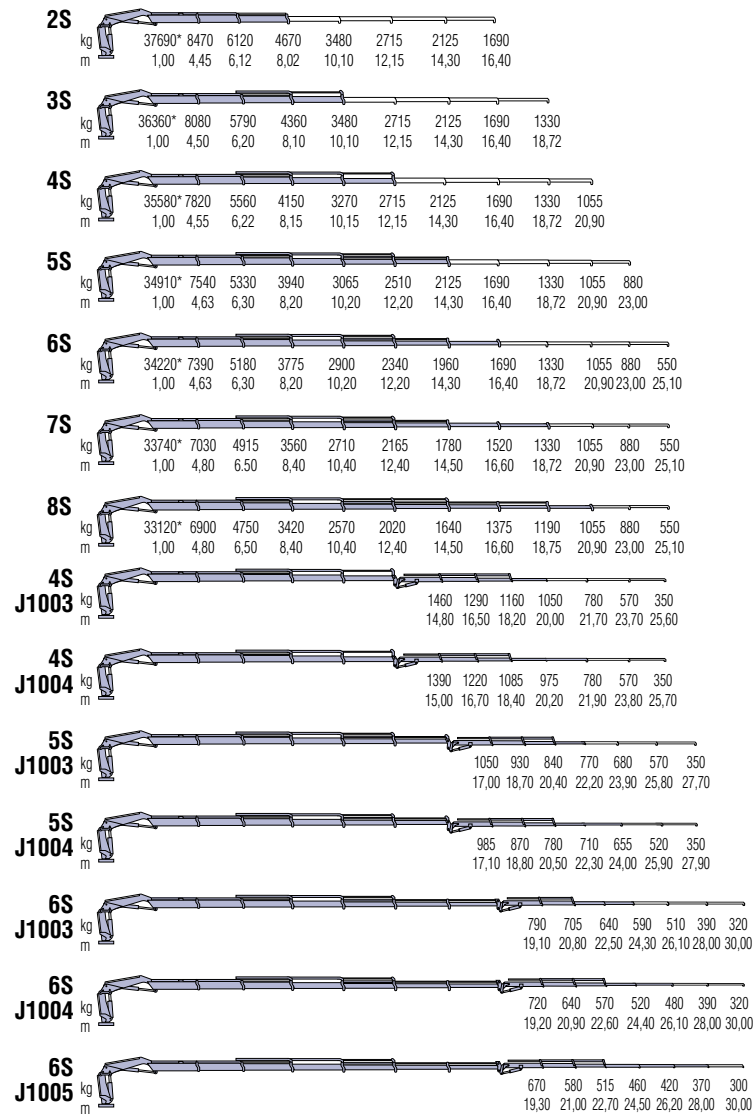
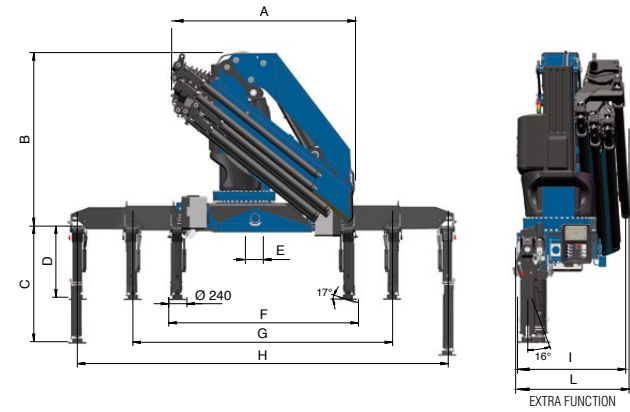


New Generation  
**VR44NG**

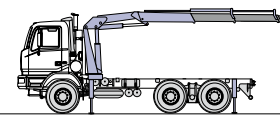


**AMCO**  **VEBA**  
LIFTING BEYOND HORIZONS

## Technical data VR44NG



\*) Theoretical lifting capacity



Recommended truck:  
G.V.W. ton 26

	2S	3S	4S	5S	6S	7S	8S
A	2160	2275	2375	2470	2510	2510	2510
B	2465	2465	2465	2465	2465	2465	2465
C	1481	1481	1481	1481	1481	1481	1481
D	895	895	895	895	895	895	895
E	249	249	249	249	249	249	249
F	2500	2500	2500	2500	2500	2500	2500
G	6000	6000	6000	6000	6000	6000	6000
H	7800	7800	7800	7800	7800	7800	7800
I	1210	1240	1240	1240	1240	1345	1345
L	-	-	-	-	-	1390	390

	4SJ1003	4SJ1004	5SJ1003	5SJ1004	6SJ1003	6SJ1004	6SJ1005
A	2500	2500	2500	2500	2510	2510	2510
B	2760	2760	2760	2760	2760	2760	2760
C	1481	1481	1481	1481	1481	1481	1481
D	895	895	895	895	895	895	895
E	249	249	249	249	100	100	100
F	2500	2500	2500	2500	2500	2500	2500
G	6000	6000	6000	6000	6000	6000	6000
H	7800	7800	7800	7800	7800	7800	7800
I	-	-	-	-	-	-	-
L	1330	1330	1330	1330	1330	1330	1330

### Standard

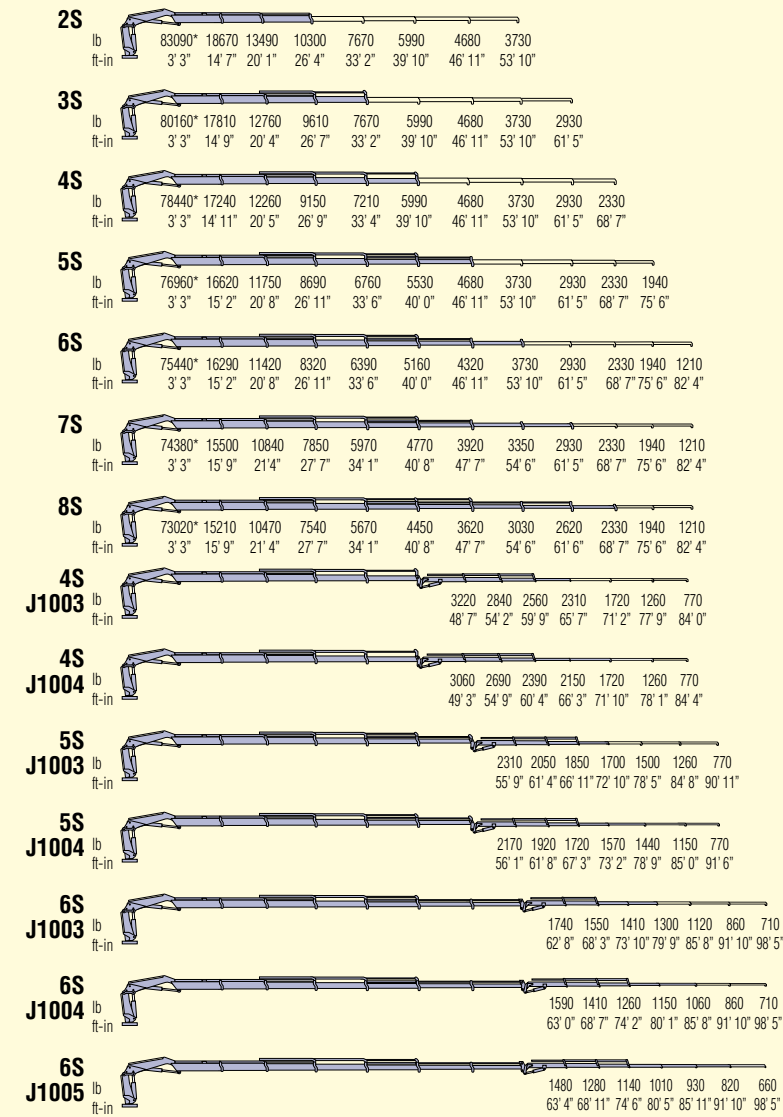
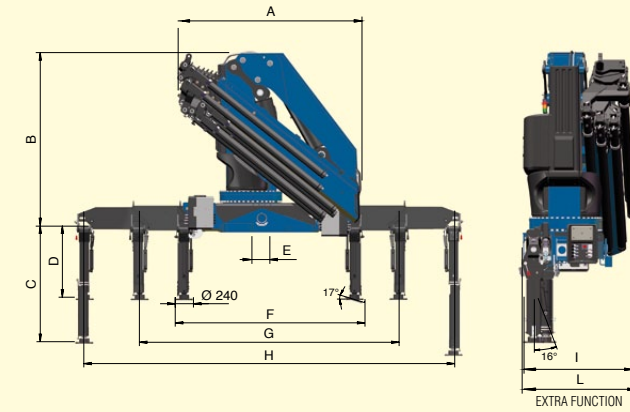
Designed in accordance with EN12999:2020 + EN13849

Design class: HC1-HD4

- Sauer Danfoss PVG32 (CE)
- Hydrocontrol HCD4 (NO CE)
- Load limit device
- Flanged valves
- Hydraulically extendable stabilizers
- Internal stabilizer pipes
- Fixed stabilizer cylinders
- Swivel stabilizer foot
- Centralized greasing system
- Super AVPS Amco Veba Power System
- SGS Sprint Generation System
- SDD Soft Descent Drive
- Double linkage
- P Class - Crane Control System (CE)
- TOP monitor 7" - Human Machine Interface

	Lifting Moment	Slewing Angle	Working pressure	Oil tank capacity	Max Oil flow	Max lifting height	Crane weight without stabilizers
	tm	°	bar	l	l/min	m	kg
2S	37,7	Endless	345	230	100	12,0	3500
3S	-	Endless	345	230	100	14,0	3730
4S	-	Endless	345	230	100	16,0	3950
5S	-	Endless	345	230	100	18,0	4160
6S	-	Endless	345	230	100	20,0	4350
7S	-	Endless	345	230	100	22,6	4530
8S	-	Endless	345	230	100	24,8	4700
A4J1003	-	Endless	345	230	100	24,3	4570
A4J1004	-	Endless	345	230	100	26,1	4640
A5J1003	-	Endless	345	230	100	26,4	4780
A5J1004	-	Endless	345	230	100	28,2	4850
A6J1003	-	Endless	345	230	100	28,5	4970
A6J1004	-	Endless	345	230	100	30,4	5040
A6J1005	-	Endless	345	230	100	32,3	5100

## Technical data VR44NG



\*) Theoretical lifting capacity

## IMPERIAL

	2S	3S	4S	5S	6S	7S	8S
A	86	90	94	98	99	99	99
B	98	98	98	98	98	98	98
C	59	59	59	59	59	59	59
D	36	36	36	36	36	36	36
E	10	10	10	10	10	10	10
F	99	99	99	99	99	99	99
G	237	237	237	237	237	237	237
H	308	308	308	308	308	308	308
I	48	49	49	49	49	53	53
L	-	-	-	-	-	55	55

	4SJ1003	4SJ1004	5SJ1003	5SJ1004	6SJ1003	6SJ1004	6SJ1005
A	99	99	99	99	99	99	99
B	109	109	109	109	109	109	109
C	59	59	59	59	59	59	59
D	36	36	36	36	36	36	36
E	10	10	10	10	4	4	4
F	99	99	99	99	99	99	99
G	237	237	237	237	237	237	237
H	308	308	308	308	308	308	308
I	-	-	-	-	-	-	-
L	53	53	53	53	53	53	53

### Standard

Designed in accordance with EN12999:2020 + EN13849

Design class: HC1-HD4

- Sauer Danfoss PVG32 (CE)
- Hydrocontrol HCD4 (NO CE)
- Load limit device
- Flanged valves
- Hydraulically extendable stabilizers
- Internal stabilizer pipes
- Fixed stabilizer cylinders
- Swivel stabilizer foot
- Centralized greasing system
- Super AVPS Amco Veba Power System
- SGS Sprint Generation System
- SDD Soft Descent Drive
- Double linkage
- P Class - Crane Control System (CE)
- TOP monitor 7" - Human Machine Interface

	Lifting Moment	Slewing Angle	Working pressure	Oil tank capacity	Max Oil flow	Max lifting height	Crane weight without stabilizers
	lb	°	psi	gal	gal/min	ft in	lb
2S	272700	Endless	4710	60,8	26,4	39' 4"	7715
3S	-	Endless	4710	60,8	26,4	45' 11"	8225
4S	-	Endless	4710	60,8	26,4	52' 6"	8710
5S	-	Endless	4710	60,8	26,4	59' 1"	9170
6S	-	Endless	4710	60,8	26,4	65' 7"	9590
7S	-	Endless	4710	60,8	26,4	74' 2"	9985
8S	-	Endless	4710	60,8	26,4	81' 4"	10360
A4J1003	-	Endless	4710	60,8	26,4	79' 9"	10075
A4J1004	-	Endless	4710	60,8	26,4	85' 8"	10230
A5J1003	-	Endless	4710	60,8	26,4	86' 7"	10540
A5J1004	-	Endless	4710	60,8	26,4	92' 6"	10690
A6J1003	-	Endless	4710	60,8	26,4	93' 6"	10955
A6J1004	-	Endless	4710	60,8	26,4	99' 9"	11110
A6J1005	-	Endless	4710	60,8	26,4	106' 0"	11245

# AMCO VEBA

## VR44NG



**AMCO  VEBA**  
LIFTING BEYOND HORIZONS

H.C.E. SpA  
Via Einstein, 4  
42028 Poviglio (RE) Italy  
Tel. +39 0522 40.80.11  
Fax +39 0522 40.80.80  
info@amcoveba.it  
commerciale@amcoveba.it  
www.amcoveba.com



Dealer