

Quality Line

810Q

815Q

820Q

823Q



AMCO  **VEBA**
LIFTING BEYOND HORIZONS

Reliability and easy to use articulated cranes



Quality Line

Control station

Low and horizontal position of ergonomic levers for comfortable crane control.
Control valve HC-D4.
Improved comfort while operating, intuitive use.



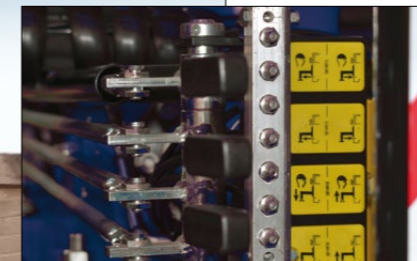
Separate valve for stabilizers

Two sets of levers, one per each side of the crane.
Higher comfort and productivity.



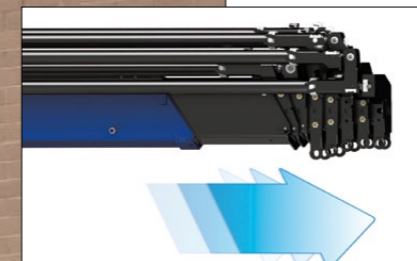
Centralized lubrication

Regular maintenance is a very important step in extending the life of the crane.
The centralization of the gripping points allows you to complete maintenance operations faster and safer.



SGS - Sprint Generation System

Purpose of the SGS system is to increase the extensions speed without affecting the safety crane.
Save time, precise work, increase efficiency.



Load Limit Device

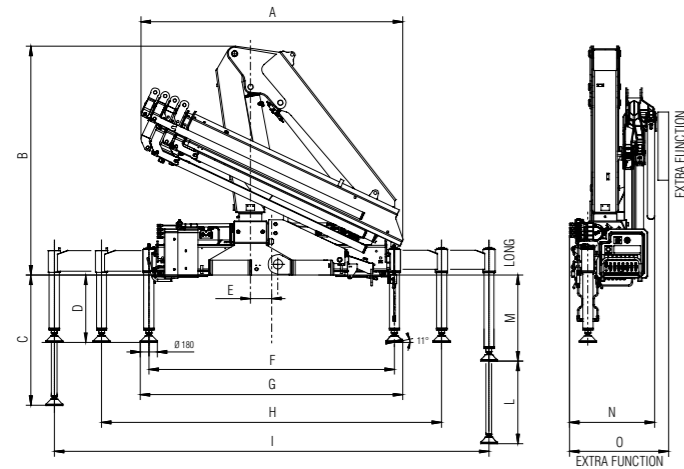
The SGS valve provides the same safety of a standard counterbalance valve, and also creates a regenerative hydraulic circuit, reusing oil as it exits the cylinder during extension. This increases speed and efficiency on every extension cylinder.
(Standard on 815 - 820)



Accessories

- Winch
- Additional extra functions for attachments
- Oil cooler
- Working lights
- Audible/visual warning device
- Hour meter





	1S	2S	3S	4S	5S
A	2475	2475	2475	2475	2475
B	2160	2160	2160	2160	2160
C	1236	1236	1236	1236	1236
D	636	636	636	636	636
E	200	200	200	200	200
F	2320	2320	2320	2320	2320
G	2480	2480	2480	2480	2480
H	3620	3620	3620	3620	3620
I	4920	4920	4920	4920	4920
L	780	780	780	780	780
M	816	816	816	816	816
N	740	740	740	740	820
O	830	830	830	830	-



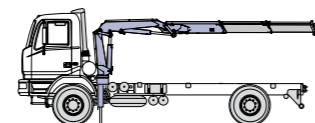
Standard

- Designed in accordance with EN12999
- Design class: HC1-HD4
- Cross controls
- Hexagonal section extensions
- Independent extension cylinders
- Stabilizers hose slides supports
- Control valve HC-D4
- Flanged valves
- Oil tank
- Manually extendable stabilizers
- Fixed stabilizer cylinders
- Swivel stabilizer foot
- Centralized greasing system
- SGS Sprint Generation System

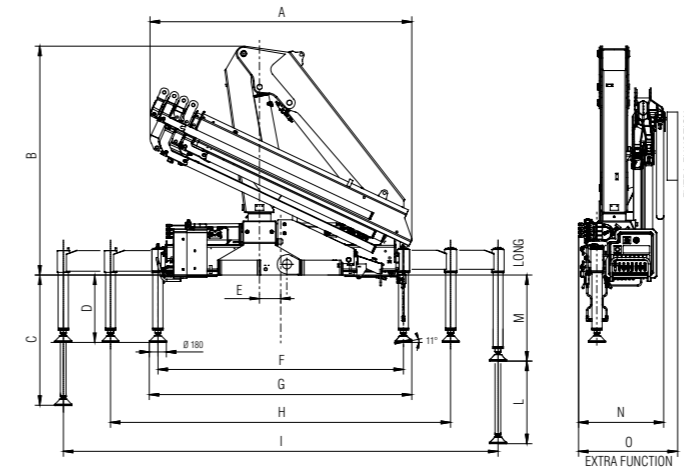
Model	kg	kg	kg	kg	kg	kg	kg	kg	kg
1S	9460*	4300**	2280	1590					
2S	9020*	4100**	2180	1500	1130	810	590	435	
3S	8755*	3980**	2050	1370	1020	810	590	435	
4S	8450*	3840**	1930	1280	930	725	590	435	
5S	8140*	3700**	1820	1190	850	645	520	435	

*) Theoretical lifting capacity
**) Fixed hook capacity

	Lifting Moment	Slewing Angle	Working pressure	Oil tank capacity	Oil flow	Max Vertical Reach (Hydr)	Crane weight without stabilizers
	tm	°	bar	l	l/min	m	kg
1S	9,5	395	290	60	40	9,45	1080
2S	9,0	395	290	60	40	11,30	1185
3S	8,8	395	290	60	40	13,20	1280
4S	8,4	395	290	60	40	15,30	1370
5S	8,1	395	290	60	40	17,30	1440



Recommended truck:
M.T.T. ton 10 - G.V.W. ton 10



	1S	2S	3S	4S	5S
A	98	98	98	98	98
B	85	85	85	85	85
C	49	49	49	49	49
D	25	25	25	25	25
E	8	8	8	8	8
F	92	92	92	92	92
G	98	98	98	98	98
H	143	143	143	143	143
I	194	194	194	194	194
L	31	31	31	31	31
M	33	33	33	33	33
N	30	30	30	30	33
O	33	33	33	33	-



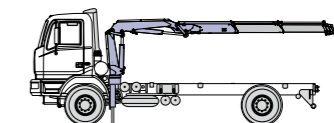
Standard

- Designed in accordance with EN12999
- Design class: HC1-HD4
- Cross controls
- Hexagonal section extensions
- Independent extension cylinders
- Stabilizers hose slides supports
- Control valve HC-D4
- Flanged valves
- Oil tank
- Manually extendable stabilizers
- Fixed stabilizer cylinders
- Swivel stabilizer foot
- Centralized greasing system
- SGS Sprint Generation System

Model	lb	lb	lb	lb	lb	lb	lb	lb	lb
1S	20860*	9480**	5030	3510					
2S	19890*	9040**	4810	3310	2490	1790	1300	960	
3S	19300*	8770**	4520	3020	2250	1790	1300	960	
4S	18630*	8470**	4250	2820	2050	1600	1300	960	
5S	17950*	8160**	4010	2620	1870	1420	1150	960	

*) Theoretical lifting capacity
**) Fixed hook capacity

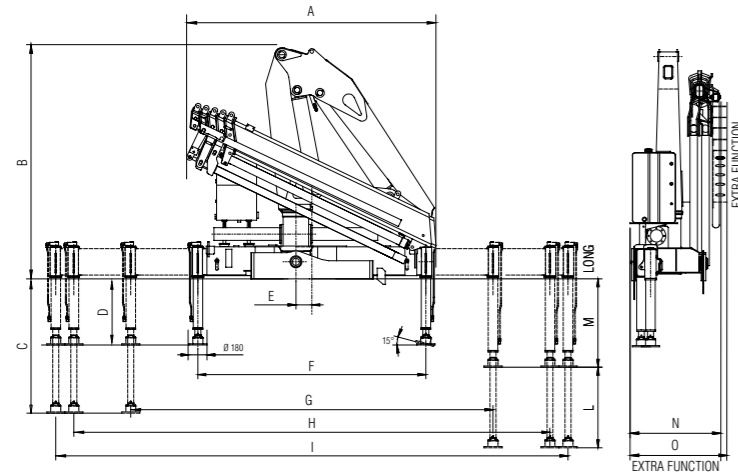
	Lifting Moment	Slewing Angle	Working pressure	Oil tank capacity	Oil flow	Max Vertical Reach (Hydr)	Crane weight without stabilizers
	lb ft	°	psi	gal	gal/min	ft in	lb
1S	68710	395	4200	15,9	10,6	31' 0"	2380
2S	65100	395	4200	15,9	10,6	37' 1"	2610
3S	63650	395	4200	15,9	10,6	43' 4"	2820
4S	60760	395	4200	15,9	10,6	50' 2"	3020
5S	58590	395	4200	15,9	10,6	56' 9"	3170



Recommended truck:
M.T.T. G.V.W. lb 22050

Technical data 815Q FOR NON CE MARKETS ONLY

METRIC



	1S	2S	3S	4S	5S	3S.J2
A	2155	2455	2470	2485	2500	2490
B	2340	2340	2340	2340	2340	2340
C	1340	1340	1340	1340	1340	1348
D	660	660	660	660	660	660
E	160	160	160	160	160	160
F	2280	2280	2280	2280	2280	2280
G	4000	4000	4000	4000	4000	4000
H	5140	5140	5140	5140	5140	5140
I	5500	5500	5500	5500	5500	5500
L	804	804	804	804	804	804
M	883	883	883	883	883	883
N	855	855	855	855	855	855
O	1000	1000	1000	1000	-	1000

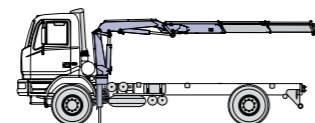


Standard

- Designed in accordance with EN12999
- Design class: HC1-HD4
- Cross controls
- Load limit device
- Hexagonal section extensions
- Independent extension cylinders
- Stabilizers hose slides supports
- Control valve HC-D4
- Independent extension cylinders
- Flanged valves
- Oil tank
- Manually extendable stabilizers
- Fixed stabilizer cylinders
- Swivel stabilizer foot
- Centralized greasing system
- SGS Sprint Generation System

Model	kg	m	kg	m	kg	m	kg	m	kg	m	kg	m
1S	13900*	6500°	5550**	3200	2240	1,00	2,00	2,50	4,34	6,14		
2S	13300*	6500°	5300**	3000	2100	1,00	2,00	2,50	4,42	6,23	8,10	10,16
3S	12900*	6440°	5100**	2860	1980	1,00	2,00	2,50	4,51	6,31	8,18	10,16
4S	12700*	6350°	5000**	2760	1870	1,00	2,00	2,50	4,60	6,40	8,27	10,25
5S	12400*	6190°	4900**	2650	1780	1,00	2,00	2,50	4,68	6,48	8,35	10,33
3S												
J2												

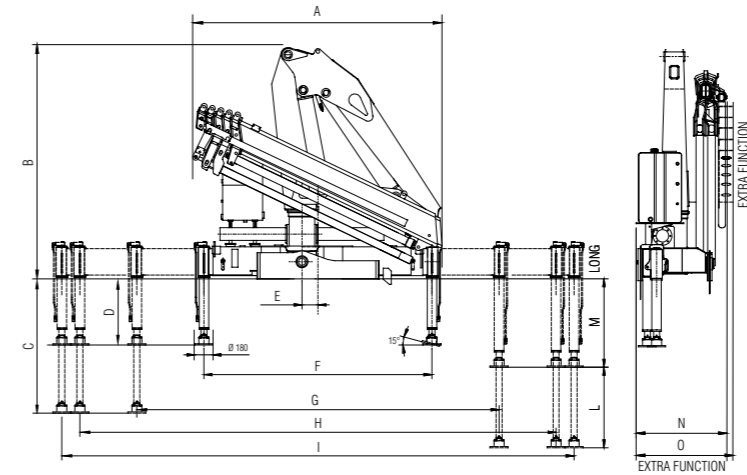
	Lifting Moment	Slewing Angle	Working pressure	Oil tank capacity	Oil flow	Max Vertical Reach (Hydr)	Crane weight without stabilizers
	tm	°	bar	l	l/min	m	kg
1S	13,9	380	285	100	25	9,6	1510
2S	13,2	380	285	100	25	11,5	1640
3S	12,8	380	285	100	25	13,5	1760
4S	12,5	380	285	100	25	15,5	1860
5S	12,3	380	285	100	25	17,5	1950
3S.J2	7,07	380	260	100	25	18,8	2070



Recommended truck:
M.T.T. ton 12 - G.V.W. ton 12

Technical data 815Q FOR NON CE MARKETS ONLY

INCHES



	1S	2S	3S	4S	5S	3S.J2
A	85	97	98	98	99	98
B	93	93	93	93	93	93
C	53	53	53	53	53	53
D	26	26	26	26	26	26
E	7	7	7	7	7	7
F	90	90	90	90	90	90
G	158	158	158	158	158	158
H	203	203	203	203	203	203
I	217	217	217	217	217	217
L	32	32	32	32	36	32
M	35	35	35	35	35	35
N	34	34	34	34	36	34
O	40	40	40	40	-	40

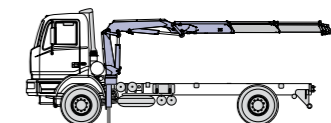


Standard

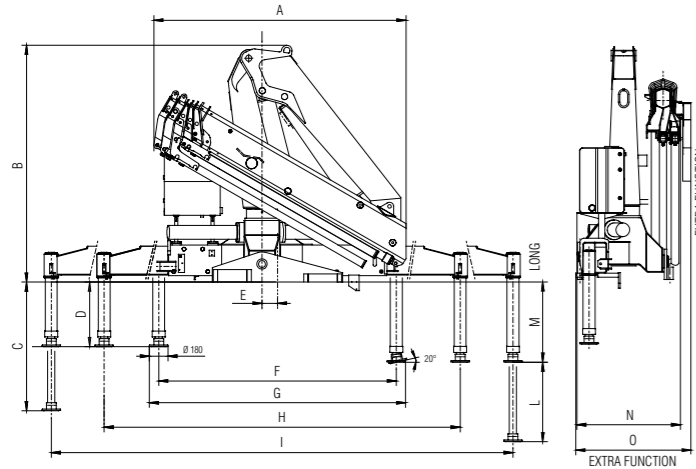
- Designed in accordance with EN12999
- Design class: HC1-HD4
- Cross controls
- Load limit device
- Hexagonal section extensions
- Independent extension cylinders
- Stabilizers hose slides supports
- Control valve HC-D4
- Independent extension cylinders
- Flanged valves
- Oil tank
- Manually extendable stabilizers
- Fixed stabilizer cylinders
- Swivel stabilizer foot
- Centralized greasing system
- SGS Sprint Generation System

Model	lb	ft-in	lb	ft-in	lb	ft-in	lb	ft-in	lb	ft-in
1S	30640*	14330°	12240**	7050	4940	3' 3"	6' 7"	8' 2"	14' 3"	20' 2"
2S	29320*	14330°	11680**	6610	4630	3' 3"	6' 7"	8' 2"	14' 6"	20' 5"
3S	28440*	14200°	11240**	6310	4370	3' 3"	6' 7"	8' 2"	14' 1"	20' 8"
4S	28000*	14000°	11020**	6080	4120	3' 3"	6' 7"	8' 2"	15' 1"	21' 0"
5S	27340*	13650°	10800**	5840	3920	3' 3"	6' 7"	8' 2"	15' 4"	21' 3"
3S										
J2										

	Lifting Moment	Slewing Angle	Working pressure	Oil tank capacity	Oil flow	Max Vertical Reach (Hydr)	Crane weight without stabilizers
	lb ft	°	psi	gal	gal/min	ft in	lb
1S	100540	380	4130	26,4	6,6	31' 6"	3330
2S	95470	380	4130	26,4	6,6	37' 9"	3620
3S	92580	380	4130	26,4	6,6	44' 3"	3880
4S	90410	380	4130	26,4	6,6	50' 10"	4100
5S	88960	380	4130	26,4	6,6	57' 5"	4300
3S.J2	51140	380	3770	26,4	6,6	61' 8"	4560



Recommended truck:
G.V.W. lb 26460



	1S	2S	3S	4S	5S	6S	5S.J2
A	2165	2210	2275	2370	2440	2495	2480
B	2295	2295	2295	2295	2295	2295	2300
C	1244	1244	1244	1244	1244	1244	1244
D	624	624	624	624	624	624	624
E	150	150	150	150	150	150	150
F	2300	2300	2300	2300	2300	2300	2300
G	2480	2480	2480	2480	2480	2480	2480
H	5500	5500	5500	5500	5500	5500	5500
I	6240	6240	6240	6240	6240	6240	6240
L	770	770	770	770	770	770	770
M	783	783	783	783	783	783	783
N	970	970	1000	1000	1000	1000	1000
O	1120	1120	1120	1120	1120	1120	1120



Standard

- Designed in accordance with EN12999
- Design class: HC1-HD4
- Cross controls
- Load limit device
- Hexagonal section extensions
- Independent extension cylinders
- Stabilizers hose slides supports
- Control valve HC-D4
- Flanged valves
- Oil tank
- Manually extendable stabilizers
- Sliding pads on telescopic extensions
- Fixed stabilizer cylinders
- Swivel stabilizer foot
- Centralized greasing system
- SGS Sprint Generation System
- SDD Soft Descent Drive

1S

kg	19620*	9000**	4500	3150
m	1,00	2,15	4,36	6,23

2S

kg	19200*	8850**	4400	3050	2300
m	1,00	2,15	4,36	6,23	8,10

3S

kg	18700*	8550**	4280	2900	2180	1725	1315	1000	770
m	1,00	2,15	4,36	6,23	8,10	10,05	12,00	14,10	16,20

4S

kg	18250*	8380**	4180	2800	2060	1590	1315	1000	770	550
m	1,00	2,15	4,36	6,23	8,10	10,05	12,00	14,10	16,20	18,40

5S

kg	17800*	8180**	4000	2640	1920	1480	1190	1000	770	550
m	1,00	2,15	4,45	6,32	8,20	10,15	12,10	14,10	16,20	18,40

6S

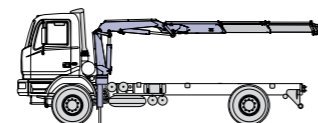
kg	17400*	8000**	3850	2530	1820	1385	1100	910	770	550
m	1,00	2,15	4,52	6,40	8,26	10,20	12,20	14,20	16,20	18,40

5S J2

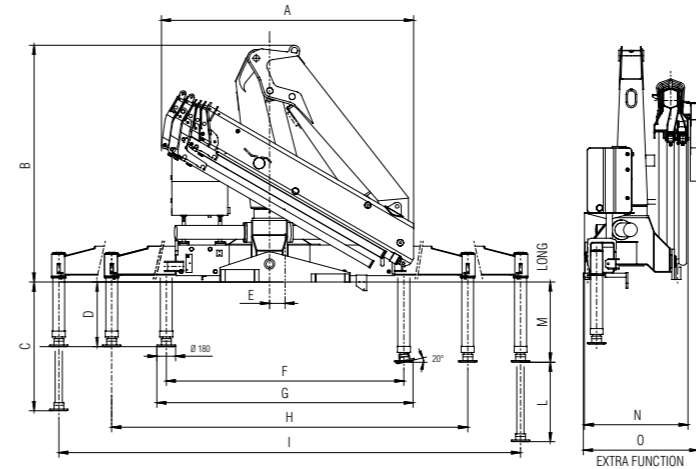
kg	550	500	450	380
m	16,80	18,20	19,70	21,20

*) Theoretical lifting capacity
**) Fixed hook capacity

	Lifting Moment	Slewing Angle	Working pressure	Oil tank capacity	Oil flow	Max Vertical Reach (Hydr)	Crane weight without stabilizers
	tm	°	bar	l	l/min	m	kg
1S	19,3	387	300	130	40	9,9	1860
2S	19,0	387	300	130	40	11,8	2010
3S	18,4	387	300	130	40	13,7	2150
4S	18,0	387	300	130	40	15,7	2280
5S	17,6	387	300	130	40	17,7	2380
6S	17,2	387	300	130	40	19,8	2480
5S.J2	9,2	387	300	130	40	23,3	2715



Recommended truck:
M.T.T. ton 19 - G.V.W. ton 19



	1S	2S	3S	4S	5S	6S	5S.J2
A	86	87	90	94	97	99	98
B	91	91	91	91	91	91	91
C	50	50	50	50	50	50	50
D	25	25	25	25	25	25	25
E	6	6	6	6	6	6	6
F	91	91	91	91	91	91	91
G	98	98	98	98	98	98	98
H	217	217	217	217	217	217	217
I	246	246	246	246	246	246	246
L	31	31	31	31	31	31	31
M	31	31	31	31	31	31	31
N	39	39	40	40	40	40	40
O	45	45	45	45	45	45	45



Standard

- Designed in accordance with EN12999
- Design class: HC1-HD4
- Cross controls
- Load limit device
- Hexagonal section extensions
- Independent extension cylinders
- Stabilizers hose slides supports
- Control valve HC-D4
- Flanged valves
- Oil tank
- Manually extendable stabilizers
- Sliding pads on telescopic extensions
- Fixed stabilizer cylinders
- Swivel stabilizer foot
- Centralized greasing system
- SGS Sprint Generation System
- SDD Soft Descent Drive

1S

lb	43250*	19840**	9920	6940
ft-in	3' 3"	7' 1"	14' 4"	20' 5"

2S

lb	42330*	19510**	9700	6720	5070
ft-in	3' 3"	7' 1"	14' 4"	20' 5"	26' 7"

3S

lb	41230*	18850**	9440	6390	4810	3800	2900	2200	1700
ft-in	3' 3"	7' 1"	14' 4"	20' 5"	26' 7"	33' 0"	39' 4"	46' 3"	53' 2"

4S

lb	40230*	18470**	9220	6170	4540	3510	2900	2200	1700	1210
ft-in	3' 3"	7' 1"	14' 4"	20' 5"	26' 7"	33' 0"	39' 4"	46' 3"	53' 2"	60' 4"

5S

lb	39240*	18030**	8820	5820	4230	3260	2620	2200	1700	1210
ft-in	3' 3"	7' 1"	14' 7"	20' 9"	26' 11"	33' 4"	39' 8"	46' 3"	53' 2"	60' 4"

6S

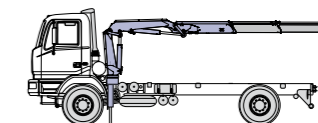
lb	38360*	17640**	8490	5580	4010	3050	2430	2010	1700	1210
ft-in	3' 3"	7' 1"	14' 10"	21' 0"	27' 1"	33' 6"	40' 0"	46' 7"	53' 2"	60' 4"

5S J2

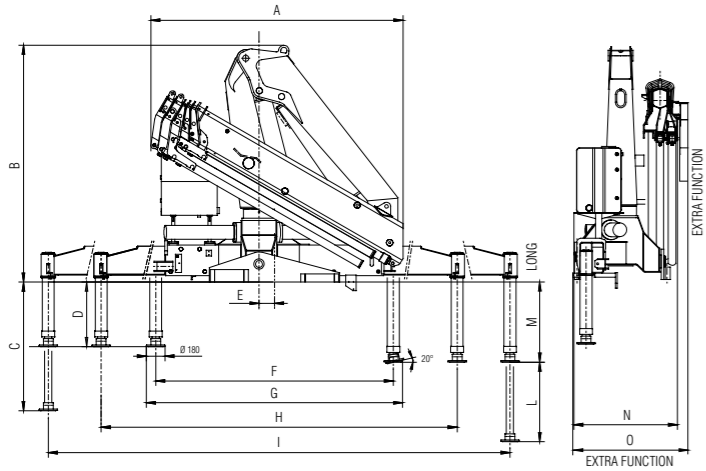
lb	1210	1100	990	840
ft-in	55' 1"	59' 9"	64' 8"	69' 7"

*) Theoretical lifting capacity
**) Fixed hook capacity

	Lifting Moment	Slewing Angle	Working pressure	Oil tank capacity	Oil flow	Max Vertical Reach (Hydr)	Crane weight without stabilizers
	lb ft	°	psi	gal	gal/min	ft in	lb
1S	139600	387	4350	34,3	10,6	32' 6"	4100
2S	137430	387	4350	34,3	10,6	38' 9"	4430
3S	133090	387	4350	34,3	10,6	44' 11"	4740
4S	130190	387	4350	34,3	10,6	51' 6"	5030
5S	127300	387	4350	34,3	10,6	58' 1"	5250
6S	124410	387	4350	34,3	10,6	65' 0"	5470
5S.J2	66540	387	4350	34,3	10,6	76' 5"	5990



Recommended truck:
G.V.W. lb 41895



	1S	2S	3S	4S	5S	6S	5S.J2
A	2165	2210	2275	2370	2440	2495	2480
B	2295	2295	2295	2295	2295	2295	2300
C	1244	1244	1244	1244	1244	1244	1244
D	624	624	624	624	624	624	624
E	150	150	150	150	150	150	150
F	2300	2300	2300	2300	2300	2300	2300
G	2480	2480	2480	2480	2480	2480	2480
H	5500	5500	5500	5500	5500	5500	5500
I	6240	6240	6240	6240	6240	6240	6240
L	770	770	770	770	770	770	770
M	783	783	783	783	783	783	783
N	970	970	1000	1000	1000	1000	1000
O	1120	1120	1120	1120	1120	1120	1120



1S

kg	19620*	9400**	4660	3320
m	1,00	2,15	4,36	6,23

2S

kg	19200*	9200**	4560	3210	2460
m	1,00	2,15	4,36	6,23	8,10

3S

kg	18700*	8930**	4430	3050	2330	1890	1460	1140	900
m	1,00	2,15	4,36	6,23	8,10	10,05	12,00	14,10	16,20

4S

kg	18250*	8730**	4330	2950	2200	1740	1460	1140	900	650
m	1,00	2,15	4,36	6,23	8,10	10,05	12,00	14,10	16,20	18,40

5S

kg	17800*	8520**	4140	2780	2050	1620	1320	1140	900	650
m	1,00	2,15	4,45	6,32	8,20	10,15	12,10	14,10	16,20	18,40

6S

kg	17400*	8330**	3990	2660	1950	1520	1220	1040	900	650
m	1,00	2,15	4,52	6,40	8,26	10,20	12,20	14,20	16,20	18,40

5S J2

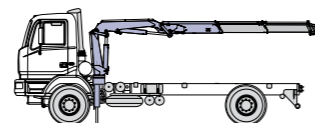
kg	605	550	505	400
m	16,80	18,20	19,70	21,20

*) Theoretical lifting capacity
**) Fixed hook capacity

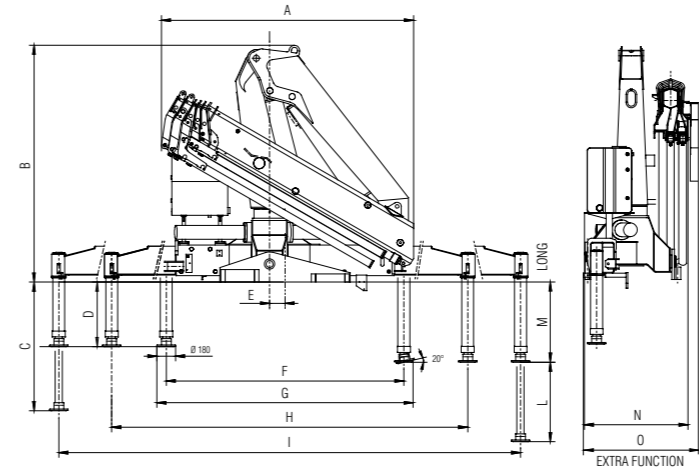
Standard

- Designed in accordance with EN12999
- Design class: HC1-HD4
- Cross controls
- Load limit device
- Hexagonal section extensions
- Independent extension cylinders
- Stabilizers hose slides supports
- Control valve HC-D4
- Flanged valves
- Oil tank
- Manually extendable stabilizers
- Sliding pads on telescopic extensions
- Fixed stabilizer cylinders
- Swivel stabilizer foot
- Centralized greasing system
- SGS Sprint Generation System
- SDD Soft Descent Drive
- AVPS

	Lifting Moment	Slewing Angle	Working pressure	Oil tank capacity	Oil flow	Max Vertical Reach (Hydr)	Crane weight without stabilizers
	tm	°	bar	l	l/min	m	kg
1S	20,7	387	315	130	40	9,9	1860
2S	19,9	387	315	130	40	11,8	2010
3S	19,2	387	315	130	40	13,7	2150
4S	18,8	387	315	130	40	15,7	2280
5S	18,3	387	315	130	40	17,7	2380
6S	17,9	387	315	130	40	19,8	2480
5S.J2	10,1	387	315	130	40	23,3	2715



Recommended truck:
M.T.T. ton 19 - G.V.W. ton 19



	1S	2S	3S	4S	5S	6S	5S.J2
A	86	87	90	94	97	99	98
B	91	91	91	91	91	91	91
C	50	50	50	50	50	50	50
D	25	25	25	25	25	25	25
E	6	6	6	6	6	6	6
F	91	91	91	91	91	91	91
G	98	98	98	98	98	98	98
H	217	217	217	217	217	217	217
I	246	246	246	246	246	246	246
L	31	31	31	31	31	31	31
M	31	31	31	31	31	31	31
N	39	39	40	40	40	40	40
O	45	45	45	45	45	45	45



1S

lb	43250*	20720**	10270	7320
ft-in	3' 3"	7' 1"	14' 4"	20' 5"

2S

lb	42330*	20280**	10050	7080	5420
ft-in	3' 3"	7' 1"	14' 4"	20' 5"	26' 7"

3S

lb	41230*	19690**	9770	6720	5140	4170	3220	2510	1980
ft-in	3' 3"	7' 1"	14' 4"	20' 5"	26' 7"	33' 0"	39' 4"	46' 3"	53' 2"

4S

lb	40230*	19250**	9550	6500	4850	3840	3220	2510	1980	1430
ft-in	3' 3"	7' 1"	14' 4"	20' 5"	26' 7"	33' 0"	39' 4"	46' 3"	53' 2"	60' 4"

5S

lb	39240*	18780**	9130	6130	4520	3570	2910	2510	1980	1430
ft-in	3' 3"	7' 1"	14' 7"	20' 9"	26' 11"	33' 4"	39' 8"	46' 3"	53' 2"	60' 4"

6S

lb	38360*	18360**	8800	5860	4300	3350	2690	2290	1980	1430
ft-in	3' 3"	7' 1"	14' 10"	21' 0"	27' 1"	33' 6"	40' 0"	46' 7"	53' 2"	60' 4"

5S J2

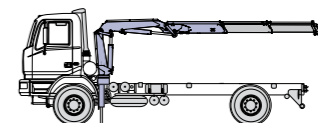
lb	1330	1210	1110	880
ft-in	55' 1"	59' 9"	64' 8"	69' 7"

*) Theoretical lifting capacity
**) Fixed hook capacity

Standard

- Designed in accordance with EN12999
- Design class: HC1-HD4
- Cross controls
- Load limit device
- Hexagonal section extensions
- Independent extension cylinders
- Stabilizers hose slides supports
- Control valve HC-D4
- Flanged valves
- Oil tank
- Manually extendable stabilizers
- Sliding pads on telescopic extensions
- Fixed stabilizer cylinders
- Swivel stabilizer foot
- Centralized greasing system
- SGS Sprint Generation System
- SDD Soft Descent Drive
- AVPS

	Lifting Moment	Slewing Angle	Working pressure	Oil tank capacity	Oil flow	Max Vertical Reach (Hydr)	Crane weight without stabilizers
	lb ft	°	psi	gal	gal/min	ft in	lb
1S	149700	387	4570	34,4	10,6	32' 6"	4100
2S	143900	387	4570	34,4	10,6	38' 9"	4430
3S	138900	387	4570	34,4	10,6	44' 11"	4740
4S	136000	387	4570	34,4	10,6	51' 6"	5025
5S	132400	387	4570	34,4	10,6	58' 1"	5245
6S	129500	387	4570	34,4	10,6	65' 0"	5465
5S.J2	73100	387	4570	34,4	10,6	76' 5"	5985



Recommended truck:
G.V.W. lb 41895

AMCO VEBA

Quality Line

810Q - 815Q - 820Q - 823Q



AMCO  VEBA
LIFTING BEYOND HORIZONS

H.C.E. SpA
Via Einstein, 4
42028 Poviglio (RE) Italy
Tel. +39 0522 40.80.11
Fax +39 0522 40.80.80
info@amcoveba.it
commerciale@amcoveba.it
www.amcoveba.com



Dealer

MKT 5.80.0506 - DATE OF PRINTING: 01/10/2022 - REV.1

Data, descriptions, and illustrations pertain only and uniquely to models sold at the time of printing of this brochure. After the date of printing, this information is purely indicative and not binding upon H.C.E. Future modifications are solely at the discretion of H.C.E. and are always in compliance with applicable and pertinent safety standards. To obtain updated data, descriptions, and illustrations, contact the manufacturer or your reseller. Cranes manufactured and/or marketed by H.C.E. is not responsible for the special applications depicted. Crane applications and accessories described herein are only examples. Some applications and equipment shown may not be approved for use in CE countries or other areas. It is the installer's responsibility to ensure that the crane is applied correctly, and that its application, installation, and accessories maintain safety and comply with all local laws.