

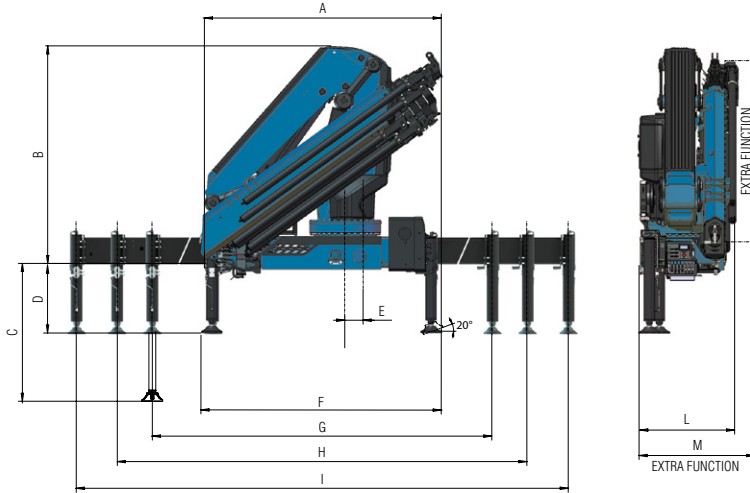
New Generation **VR23NG**



AMCO  **VEBA**
LIFTING BEYOND HORIZONS

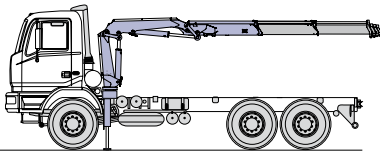
New Generation

Technical data VR23NG



Model	kg	4,35	6,32	8,29	10,36	12,51	14,73	17,01	19,11
2S	21075	4990	3380	2560					
3S	21160	4865	3245	2420	1915	1460	1130	725	
4S	20710	4675	3085	2270	1770	1460	1130	890	600
5S	20270	4495	2940	2140	1640	1340	1130	890	755
6S	19985	4345	2830	2040	1550	1280	1060	895	755
3SJ3					905	775	675	605	
4SJ3					13,36	15,06	16,81	18,56	
4SJ3					715	635	570	520	
5SJ2					15,43	16,99	18,55	20,11	
5SJ2					675	615	570		
					17,41	18,79	20,27		

*) theoretical lifting capacity



Recommended truck:
M.T.T. ton 18 - G.V.W. ton 18

	2S	3S	4S	5S	6S	3SJ3	4SJ3	5SJ2
A	2535	2535	2535	2535	2535	2575	2615	2540
B	2335	2335	2335	2335	2335	2685	2630	2530
C	1348	1348	1348	1348	1348	1348	1348	1348
D	666/611	666/611	666/611	666/611	666/611	666/611	666/611	666/611
E	250	250	250	250	250	250	250	250
F	2520	2520	2520	2520	2520	2520	2520	2520
G	4860	4860	4860	4860	4860	4860	4860	4860
H	5500	5500	5500	5500	5500	5500	5500	5500
I	7420	7420	7420	7420	7420	7420	7420	7420
L	960	960	960	960	960	1095	1095	1095
M	1080	1080	1080	1155	1155	-	-	-

Standard

- Designed in accordance with EN12999
- Design class: HC1-HD5
- Multifunctional radio remote control
- Sauer Danfoss PVG32
- Super AVPS Amco Veba Power System
- Flanged valves
- Oil tank
- Manually extendable stabilizers
- Fixed stabilizer cylinders
- Swivel stabilizer foot
- Centralized greasing system
- Double linkage
- SGS Sprint Generation System
- SDD Soft Descent Drive
- 3XL Crane control system (CE)

	Lifting Moment	Swewing Angle	Working pressure	Oil tank capacity	Oil flow	Max Vertical Reach (Hydr)	Crane weight without stabilizers
	tm	°	bar	l	l/min	m	kg
2S	21,7	Endless	345	130	70	12,0	2370
3S	-	Endless	345	130	70	14,1	2520
4S	-	Endless	345	130	70	16,2	2670
5S	-	Endless	345	130	70	18,4	2790
6S	-	Endless	345	130	70	20,7	2885
3SJ3	-	Endless	-	130	70	22,2	3180
4SJ3	-	Endless	-	130	70	23,8	3160
5SJ2	-	Endless	-	130	70	23,9	3065

AMCO Veba
LIFTING BEYOND HORIZONS

H.C.E. s.r.l. unico socio
Via Einstein, 4
42028 Poviglio (RE) Italy
Tel. +39 0522 40.80.11
Fax +39 0522 40.80.80
info@amcoveba.it
commerciale@amcoveba.it
www.amcoveba.com



Dealer