

New Generation
VR60NG

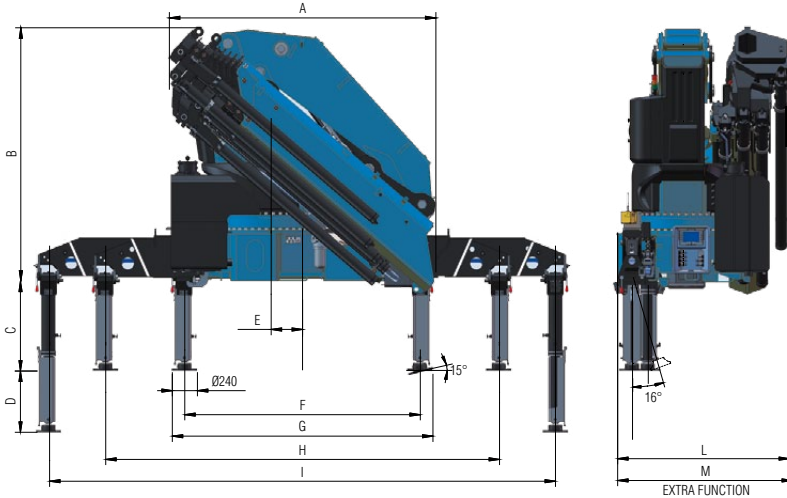
**THE MOST COMPACT
AND LIGHT IN ITS RANGE**



AMCO / VEBA
LIFTING BEYOND HORIZONS

New Generation

Technical data VR60NG



	2S	4S	6S	8S	6SJ2002	6SJ2004	6SJ2006	6SJ1206
A	2530	2530	2530	2550	2550	2550	2550	2550
B	2430	2430	2430	2430	2740	2740	2740	2780
C	860	860	860	860	860	860	860	860
D	586	586	586	586	586	586	586	586
E	300	300	300	300	300	300	300	300
F	2255	2255	2255	2255	2255	2255	2255	2255
G	2495	2495	2495	2495	2495	2495	2495	2495
H	6660	6660	6660	6660	6660	6660	6660	6660
I	8670	8670	8670	8670	8670	8670	8670	8670
L	1480	1480	1480	1635	1665	1665	1665	1665
M	1585	1585	1585	1690	-	-	-	-

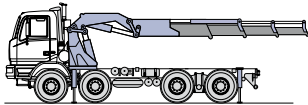
Standard

- Designed in accordance with EN12999:2020 + EN13849
- Design class: HC1-HD4
- Multifunction radio remote control
- Sauer Danfoss PVG32
- Flanged valves
- On site auxiliary manual controls (on column)
- Double linkage
- SGS Sprint Generation System
- SDD Soft Descent Drive
- High pressure oil filter
- Load sensing pump predisposition
- Stabilizers control valve
- Hydraulically extendable stabilizers
- Fixed stabilizer cylinders
- Swivel stabilizer foot
- Stability Control System (CE)
- Visual warning device for closed stabilizers (CE)
- P Class - Crane Control System (CE)
- TOP monitor 7" - Human Machine Interface

Model	kg	1,00*	4,35	6,15	7,185	8,00
2S	57480	13000	9240	7185	8,00	
4S	54680	12260	8625	6610	5270	4400 3195 2760 2045 1820
6S	51920	11590	8000	6005	4685	3820 3195 2760 2045 1820 1500 1150
8S	50720	10860	7450	5530	4240	3395 2780 2350 2045 1820 1500 1150
6S J2002						1300 1180 1080 820 760 19,50 21,10 22,70 24,40 26,10
6S J2004						1120 1010 900 820 760 570 530 19,60 21,20 22,80 24,40 26,10 28,00 29,80
6S J2006						960 850 755 675 620 570 530 420 19,65 21,30 22,90 24,50 26,20 28,00 29,80 31,00
6S J1206						1200 1060 950 865 795 735 685 500 19,65 21,30 22,90 24,50 26,20 28,00 29,80 31,00

*) theoretical lifting capacity

	Lifting Moment	Slewing Angle	Working pressure	Oil tank capacity	Oil flow	Max Vertical Reach (Hydr)	Crane weight without stabilizers
	tm	°	bar	l	l/min	m	kg
2S	57,5	Endless	335	250	100	11,9	4625
4S	-	Endless	335	250	100	15,9	5190
6S	-	Endless	335	250	100	20,3	5715
8S	-	Endless	335	300	100	24,7	6125
6SJ2002	-	Endless	-	250/300	100	26,6	6820
6SJ2004	-	Endless	-	250/300	100	30,1	7035
6SJ2006	-	Endless	-	250/300	100	33,8	7205
6SJ1206	-	Endless	-	250/300	100	33,8	6905



Recommended truck:
M.T.T. ton 42 - G.V.W. ton 42

AMCO VEBA
LIFTING BEYOND HORIZONS

H.C.E. SpA
Via Einstein, 4
42028 Poggio (RE) Italy
Tel. +39 0522 40.80.11
Fax +39 0522 40.80.80
info@amcoveba.it
commerciale@amcoveba.it
www.amcoveba.com



Dealer