

New Generation
VR66NG

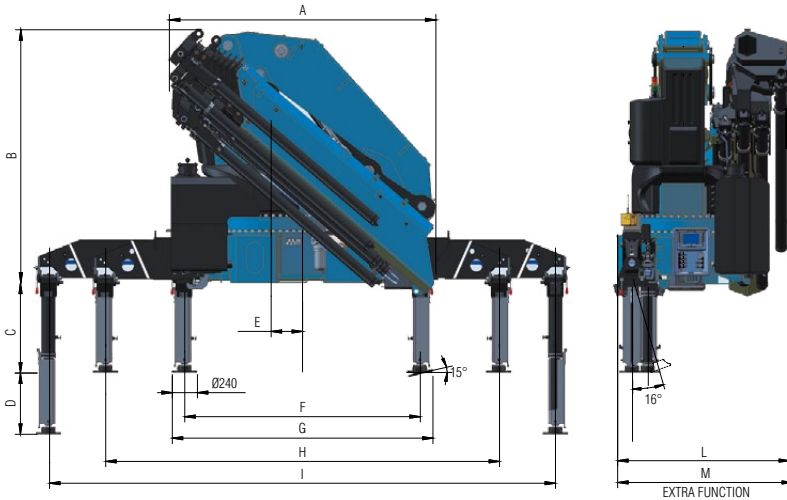
**THE STRONGEST IN
ITS RANGE +63.2 TM**



AMCO  **VEBA**
LIFTING BEYOND HORIZONS

New Generation

Technical data VR66NG



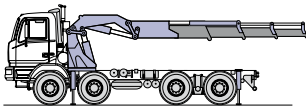
	2S	4S	6S	8S	6SJ2002	6SJ2004	6SJ2006	6SJ1206
A	2530	2530	2530	2550	2550	2550	2550	2550
B	2430	2430	2430	2430	2740	2740	2740	2780
C	860	860	860	860	860	860	860	860
D	586	586	586	586	586	586	586	586
E	300	300	300	300	300	300	300	300
F	2255	2255	2255	2255	2255	2255	2255	2255
G	2495	2495	2495	2495	2495	2495	2495	2495
H	6660	6660	6660	6660	6660	6660	6660	6660
I	8670	8670	8670	8670	8670	8670	8670	8670
L	1480	1480	1480	1635	1665	1665	1665	1665
M	1585	1585	1585	1690	-	-	-	-

Standard

- Designed in accordance with EN12999:2020 + EN13849
- Design class: HC1-HD5
- Multifunction radio remote control
- Sauer Danfoss PVG32
- One site auxiliary manual controls (on column)
- Super AVPS Amco Veba Power System
- Flanged valves
- Double linkage
- SGS Sprint Generation System
- SDD Soft Descent Drive
- High pressure oil filter
- Load sensing pump predisposition
- Stabilizers control valve
- Hydraulically extendable stabilizers
- Fixed stabilizer cylinders
- Swivel stabilizer foot
- Stability Control System (CE)
- Visual warning device for closed stabilizers (CE)
- P Class - Crane Control System (CE)
- TOP monitor 7" - Human Machine Interface

2S		63280	14270	10170	7910													
kg																		
m		1,00*	4,35	6,15	8,00													
4S		60210	13500	9540	7325	5860	4900	3615	3130	2365	2110							
kg																		
m		1,00*	4,46	6,26	8,06	10,00	11,96	14,08	16,18	18,52	20,70	22,85	25,00					
6S		57570	12850	8910	6720	5265	4315	3615	3130	2365	2110	1700	1350					
kg																		
m		1,00*	4,48	6,28	8,10	10,05	11,98	14,08	16,18	18,52	20,70	22,85	25,00					
8S		56270	12050	8330	6230	4810	3880	3195	2715	2365	2110	1700	1350					
kg																		
m		1,00*	4,67	6,47	8,30	10,25	12,20	14,30	16,40	18,52	20,70	22,85	25,00					
6S																		
J2002									1520	1380	1270	860	790					
kg																		
m									19,50	21,10	22,70	24,40	26,10					
6S																		
J2004									1330	1180	1080	990	910	730	680			
kg																		
m									19,60	21,20	22,80	24,40	26,10	28,00	29,80			
6S																		
J2006									1200	1070	960	860	790	730	680	520		
kg																		
m									19,65	21,30	22,90	24,50	26,20	28,00	29,80	31,00		
6S																		
J1206									1490	1320	1200	1100	1020	940	880	650		
kg																		
m									19,65	21,30	22,90	24,50	26,20	28,00	29,80	31,00		

*) theoretical lifting capacity



Recommended truck:
M.T.T. ton 42 - G.V.W. ton 42

AMCO Veba
LIFTING BEYOND HORIZONS

H.C.E. SpA
Via Einstein, 4
42028 Poggio (RE) Italy
Tel. +39 0522 40.80.11
Fax +39 0522 40.80.80
info@amcoveba.it
commerciale@amcoveba.it
www.amcoveba.com



Dealer

Data, descriptions, and illustrations pertain only and uniquely to models sold at the time of printing of this brochure. After the date of printing, this information is purely indicative and not binding upon H.C.E. Future modifications are solely at the discretion of H.C.E. and are always in compliance with applicable and pertinent safety standards. To obtain updated data, descriptions and illustrations, contact the manufacturer or your reseller. Cranes manufactured and/or marketed by H.C.E. are not responsible for the special applications depicted. Crane applications and accessories described herein are only examples. Some applications and equipment shown may not be approved for use in CE countries or other areas. It is the installer's responsibility to ensure that the crane is applied correctly, and that its application, installation, and accessories maintain safety and comply with all local laws.