

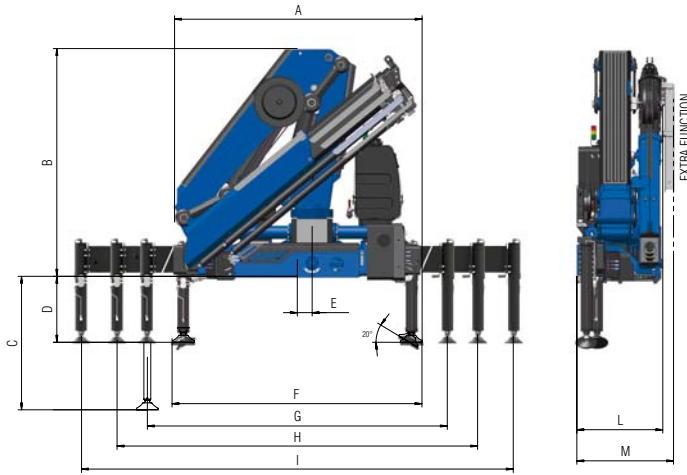
New Generation
921NG
C



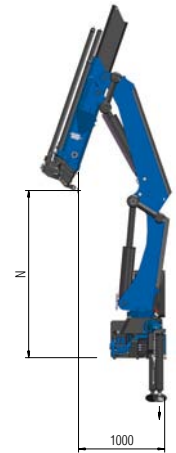
AMCO  **VEBA**
LIFTING BEYOND HORIZONS

New Generation

Technical data 921NG C

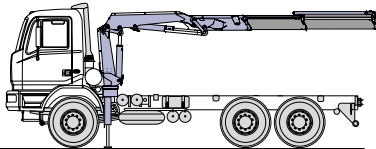


	2S	3S	4S
A	2475	2475	2475
B	2300	2300	2300
C	1348	1348	1348
D	666/611	666/611	666/611
E	150	150	150
F	2520	2520	2520
G	4860	4860	4860
H	5500	5500	5500
I	7420	7420	7420
L	870	870	870
M	990	990	990
N	2770	2682	2594



	2S				3S				4S						
kg	18690	5280	3815	2715	17675	4870	3380	2455	1880	17315	4680	3340	2320	1750	1410
m	1,00*	3,54	4,87	6,82	1,00*	3,63	4,96	6,91	8,96	1,00*	3,70	5,03	6,98	9,03	11,8

*) theoretical lifting capacity



Recommended truck:
M.T.T. ton 17 - G.V.W. ton 17

Standard

- Designed in accordance with EN12999
- Design class: HC1-S2
- Cross controls
- Load limit device
- Flanged valves
- Oil tank
- Manually extendable stabilizers
- Internal stabilizer pipes
- Fixed stabilizer cylinders
- Swivel stabilizer foot
- Centralized greasing system
- Double linkage
- SGS Sprint Generation System
- SDD Soft Descent Drive
- 3XL Crane control system (CE)

	Lifting Moment	Stewing Angle	Working pressure	Oil tank capacity	Oil flow	Max Vertical Reach (Hydr)	Crane weight without stabilizers
	tm	°	bar	l	l/min	m	kg
2S	18,7	415	300	130	70	10,5	2085
3S	-	415	300	130	70	12,7	2220
4S	-	415	300	130	70	14,8	2340

AMCO VEBA
LIFTING BEYOND HORIZONS

H.C.E. s.r.l. unico socio
Via Einstein, 4
42028 Poggio (RE) Italy
Tel. +39 0522 40.80.11
Fax +39 0522 40.80.80
info@amcoveba.it
commerciale@amcoveba.it
www.amcoveba.com



ISO 9001 • ISO 14001

Dealer

Data, descriptions, and illustrations pertain only and uniquely to models sold at the time of printing of this brochure. After the date of printing, this information is purely indicative and not binding upon H.C.E. Future modifications are solely at the discretion of H.C.E. and are always in compliance with applicable and pertinent safety standards. To obtain updated data, descriptions, and illustrations, contact the manufacturer or your reseller. Cranes manufactured and/or marketed by H.C.E. are not responsible for the special applications depicted. Crane applications and accessories described herein are only examples. Some applications and equipment shown may not be approved for use in CE countries or other areas. It is the installer's responsibility to ensure that the crane is applied correctly, and that its application, installation, and accessories maintain safety and comply with all local laws.