

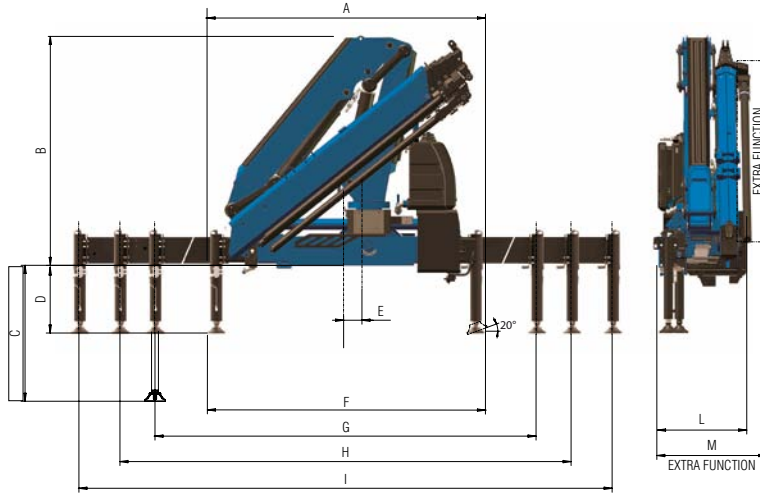
New Generation
912NG



AMCO / VEBA
LIFTING BEYOND HORIZONS

New Generation

Technical data 912NG



1S

kg	10800	2590	1800
m	1,00*	4,17	5,98

2S

kg	10465	2510	1710	1305	955	695
m	1,00*	4,17	5,98	7,79	9,82	11,85

3S

kg	10155	2390	1610	1205	955	695	500
m	1,00*	4,25	6,06	7,87	9,82	11,85	14,00

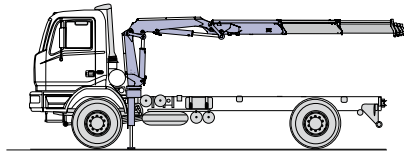
4S

kg	9675	2235	1480	1090	845	695	500	405
m	1,00*	4,33	6,14	7,95	9,90	11,85	14,00	16,18

5S

kg	9215	2095	1365	985	745	600	500	405
m	1,00*	4,40	6,21	8,02	9,97	11,92	14,00	16,18

*) theoretical lifting capacity



Recommended truck:
M.T.T. ton 12 - G.V.W. ton 12

	1S	2S	3S	4S	5S
A	2280	2280	2280	2280	2280
B	2110	2110	2110	2110	2110
C	1382	1382	1382	1382	1382
D	635/690	635/690	635/690	635/690	635/690
E	160	160	160	160	160
F	2305	2305	2305	2305	2305
G	3300	3300	3300	3300	3300
H	4805	4805	4805	4805	4805
I	5765	5765	5765	5765	5765
L	840	840	840	840	885
M	885	885	885	885	950

Standard

- Designed in accordance with EN12999
- Design class: HC1-HD4
- Cross controls
- Load limit device
- Flanged valves
- Oil tank
- Manually extendable stabilizers
- Fixed stabilizer cylinders
- Swivel stabilizer foot
- Centralized greasing system
- Double linkage
- SGS Sprint Generation System
- SDD Soft Descent Drive
- AVPS Amco Veba Power System
- 3XL Crane control system (CE)

	Lifting Moment	Slewing Angle	Working pressure	Oil tank capacity	Oil flow	Max. Vertical Reach (Hyd)	Crane weight without stabilizers
	tm	°	bar	l	l/min	m	kg
1S	10,8	425	335	75	40	9,5	1155
2S	-	425	335	75	40	11,3	1265
3S	-	425	335	75	40	13,3	1370
4S	-	425	330	75	40	15,4	1465
5S	-	425	330	75	40	17,5	1555

AMCO Veba
LIFTING BEYOND HORIZONS

H.C.E. s.r.l. unico socio
Via Einstein, 4
42028 Poviglio (RE) Italy
Tel. +39 0522 40.80.11
Fax +39 0522 40.80.80
info@amcoveba.it
commerciale@amcoveba.it
www.amcoveba.com



ISO 9001 • ISO 14001

Dealer