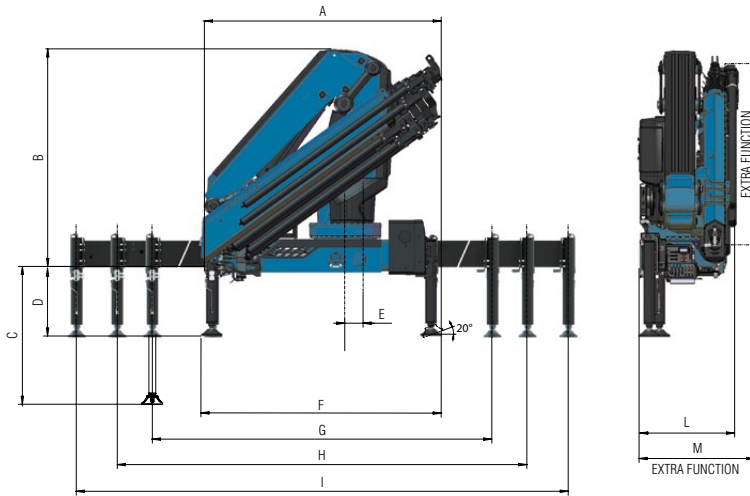


New Generation  
**VR23NG**



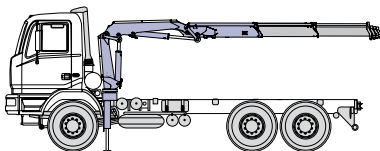
**AMCO**  **VEBA**  
LIFTING BEYOND HORIZONS

## Technical data VR23NG



| Model       | kg    | kg   | kg   | kg   | kg    | kg    | kg    | kg    | kg    | kg | kg | kg | kg | kg | kg | kg | kg | kg | kg |  |
|-------------|-------|------|------|------|-------|-------|-------|-------|-------|----|----|----|----|----|----|----|----|----|----|--|
| <b>2S</b>   | 21075 | 4990 | 3380 | 2560 |       |       |       |       |       |    |    |    |    |    |    |    |    |    |    |  |
|             | 1,00* | 4,35 | 6,32 | 8,29 |       |       |       |       |       |    |    |    |    |    |    |    |    |    |    |  |
| <b>3S</b>   | 21160 | 4865 | 3245 | 2420 | 1915  | 1460  | 1130  | 725   |       |    |    |    |    |    |    |    |    |    |    |  |
|             | 1,00* | 4,35 | 6,32 | 8,29 | 10,36 | 12,51 | 14,73 | 17,01 |       |    |    |    |    |    |    |    |    |    |    |  |
| <b>4S</b>   | 20710 | 4675 | 3085 | 2270 | 1770  | 1460  | 1130  | 890   | 600   |    |    |    |    |    |    |    |    |    |    |  |
|             | 1,00* | 4,43 | 6,40 | 8,37 | 10,44 | 12,51 | 14,72 | 17,01 | 19,11 |    |    |    |    |    |    |    |    |    |    |  |
| <b>5S</b>   | 20270 | 4495 | 2940 | 2140 | 1640  | 1340  | 1130  | 890   | 755   |    |    |    |    |    |    |    |    |    |    |  |
|             | 1,00* | 4,51 | 6,48 | 8,45 | 10,52 | 12,59 | 14,72 | 17,01 | 19,11 |    |    |    |    |    |    |    |    |    |    |  |
| <b>6S</b>   | 19985 | 4345 | 2830 | 2040 | 1550  | 1280  | 1060  | 895   | 755   |    |    |    |    |    |    |    |    |    |    |  |
|             | 1,00* | 4,60 | 6,57 | 8,54 | 10,61 | 12,68 | 14,81 | 17,01 | 19,11 |    |    |    |    |    |    |    |    |    |    |  |
| <b>3SJ3</b> |       |      |      |      | 905   | 775   | 675   | 605   |       |    |    |    |    |    |    |    |    |    |    |  |
|             |       |      |      |      | 13,36 | 15,06 | 16,81 | 18,56 |       |    |    |    |    |    |    |    |    |    |    |  |
| <b>4SJ3</b> |       |      |      |      | 715   | 635   | 570   | 520   |       |    |    |    |    |    |    |    |    |    |    |  |
|             |       |      |      |      | 15,43 | 16,99 | 18,55 | 20,11 |       |    |    |    |    |    |    |    |    |    |    |  |
| <b>5SJ2</b> |       |      |      |      | 675   | 615   | 570   |       |       |    |    |    |    |    |    |    |    |    |    |  |
|             |       |      |      |      | 17,41 | 18,79 | 20,27 |       |       |    |    |    |    |    |    |    |    |    |    |  |

\*) theoretical lifting capacity



Recommended truck:  
M.T.T. ton 18 - G.V.W. ton 18

|          | 2S      | 3S      | 4S      | 5S      | 6S      | 3SJ3    | 4SJ3    | 5SJ2    |
|----------|---------|---------|---------|---------|---------|---------|---------|---------|
| <b>A</b> | 2535    | 2535    | 2535    | 2535    | 2535    | 2575    | 2615    | 2540    |
| <b>B</b> | 2335    | 2335    | 2335    | 2335    | 2335    | 2685    | 2630    | 2530    |
| <b>C</b> | 1348    | 1348    | 1348    | 1348    | 1348    | 1348    | 1348    | 1348    |
| <b>D</b> | 666/611 | 666/611 | 666/611 | 666/611 | 666/611 | 666/611 | 666/611 | 666/611 |
| <b>E</b> | 250     | 250     | 250     | 250     | 250     | 250     | 250     | 250     |
| <b>F</b> | 2520    | 2520    | 2520    | 2520    | 2520    | 2520    | 2520    | 2520    |
| <b>G</b> | 4860    | 4860    | 4860    | 4860    | 4860    | 4860    | 4860    | 4860    |
| <b>H</b> | 5500    | 5500    | 5500    | 5500    | 5500    | 5500    | 5500    | 5500    |
| <b>I</b> | 7420    | 7420    | 7420    | 7420    | 7420    | 7420    | 7420    | 7420    |
| <b>L</b> | 960     | 960     | 960     | 960     | 960     | 1095    | 1095    | 1095    |
| <b>M</b> | 1080    | 1080    | 1080    | 1155    | 1155    | -       | -       | -       |

### Standard

- Designed in accordance with EN12999
- Design class: HC1-HD5
- Multifunctional radio remote control
- Sauer Danfoss PVG32
- Super AVPS Amco Veba Power System
- Flanged valves
- Manually extendable stabilizers
- Fixed stabilizer cylinders
- Swivel stabilizer foot
- Centralized greasing system
- Double linkage
- SGS Sprint Generation System
- SDD Soft Descent Drive
- 3XL Crane control system (CE)

|             | Lifting Moment | Swewing Angle | Working pressure | Oil tank capacity | Oil flow | Max Vertical Reach (Hydr) | Crane weight without stabilizers |
|-------------|----------------|---------------|------------------|-------------------|----------|---------------------------|----------------------------------|
|             | tm             | °             | bar              | l                 | l/min    | m                         | kg                               |
| <b>2S</b>   | 21,7           | Endless       | 345              | 130               | 70       | 12,0                      | 2370                             |
| <b>3S</b>   | -              | Endless       | 345              | 130               | 70       | 14,1                      | 2520                             |
| <b>4S</b>   | -              | Endless       | 345              | 130               | 70       | 16,2                      | 2670                             |
| <b>5S</b>   | -              | Endless       | 345              | 130               | 70       | 18,4                      | 2790                             |
| <b>6S</b>   | -              | Endless       | 345              | 130               | 70       | 20,7                      | 2885                             |
| <b>3SJ3</b> | -              | Endless       | -                | 130               | 70       | 22,2                      | 3180                             |
| <b>4SJ3</b> | -              | Endless       | -                | 130               | 70       | 23,8                      | 3160                             |
| <b>5SJ2</b> | -              | Endless       | -                | 130               | 70       | 23,9                      | 3065                             |

**AMCO Veba**  
LIFTING BEYOND HORIZONS

**H.C.E. s.r.l.** unico socio  
Via Einstein, 4  
42028 Poviglio (RE) Italy  
Tel. +39 0522 40.80.11  
Fax +39 0522 40.80.80  
info@amcoveba.it  
commerciale@amcoveba.it  
www.amcoveba.com



Dealer