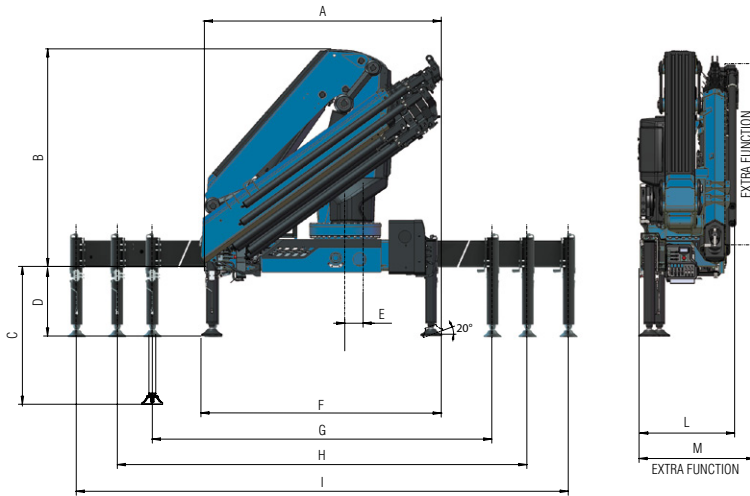


# New Generation **VR23NG**



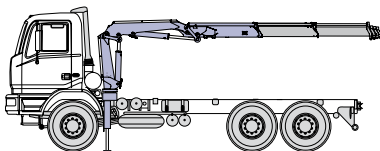
**AMCO**  **VEBA**  
LIFTING BEYOND HORIZONS

## Technical data VR23NG



Model	kg	21075	4990	3380	2560						
<b>2S</b>	m	1,00*	4,35	6,32	8,29						
<b>3S</b>	kg	21160	4865	3245	2420	1915	1460	1130	725		
	m	1,00*	4,35	6,32	8,29	10,36	12,51	14,73	17,01		
<b>4S</b>	kg	20710	4675	3085	2270	1770	1460	1130	890	600	
	m	1,00*	4,43	6,40	8,37	10,44	12,51	14,72	17,01	19,11	
<b>5S</b>	kg	20270	4495	2940	2140	1640	1340	1130	890	755	
	m	1,00*	4,51	6,48	8,45	10,52	12,59	14,72	17,01	19,11	
<b>6S</b>	kg	19985	4345	2830	2040	1550	1280	1060	895	755	
	m	1,00*	4,60	6,57	8,54	10,61	12,68	14,81	17,01	19,11	
<b>3SJ3</b>	kg					905	775	675	605		
	m					13,36	15,06	16,81	18,56		
<b>4SJ3</b>	kg					715	635	570	520		
	m					15,43	16,99	18,55	20,11		
<b>5SJ2</b>	kg					675	615	570			
	m					17,41	18,79	20,27			

\*) theoretical lifting capacity



Recommended truck:  
M.T.T. ton 18 - G.V.W. ton 18

	2S	3S	4S	5S	6S	3SJ3	4SJ3	5SJ2
<b>A</b>	2535	2535	2535	2535	2535	2575	2615	2540
<b>B</b>	2335	2335	2335	2335	2335	2685	2630	2530
<b>C</b>	1348	1348	1348	1348	1348	1348	1348	1348
<b>D</b>	666/611	666/611	666/611	666/611	666/611	666/611	666/611	666/611
<b>E</b>	250	250	250	250	250	250	250	250
<b>F</b>	2520	2520	2520	2520	2520	2520	2520	2520
<b>G</b>	4860	4860	4860	4860	4860	4860	4860	4860
<b>H</b>	5500	5500	5500	5500	5500	5500	5500	5500
<b>I</b>	7420	7420	7420	7420	7420	7420	7420	7420
<b>L</b>	960	960	960	960	960	1095	1095	1095
<b>M</b>	1080	1080	1080	1155	1155	-	-	-

### Standard

- Designed in accordance with EN12999
- Design class: HC1-HD5
- Multifunctional radio remote control
- Sauer Danfoss PVG32
- Super AVPS Amco Veba Power System
- Flanged valves
- Oil tank
- Manually extendable stabilizers
- Fixed stabilizer cylinders
- Swivel stabilizer foot
- Centralized greasing system
- Double linkage
- SGS Sprint Generation System
- SDD Soft Descent Drive
- 3XL Crane control system (CE)

	Lifting Moment	Swewing Angle	Working pressure	Oil tank capacity	Oil flow	Max Vertical Reach (Hydr)	Crane weight without stabilizers
	tm	°	bar	l	l/min	m	kg
<b>2S</b>	21,7	Endless	345	130	70	12,0	2370
<b>3S</b>	-	Endless	345	130	70	14,1	2520
<b>4S</b>	-	Endless	345	130	70	16,2	2670
<b>5S</b>	-	Endless	345	130	70	18,4	2790
<b>6S</b>	-	Endless	345	130	70	20,7	2885
<b>3SJ3</b>	-	Endless	-	130	70	22,2	3180
<b>4SJ3</b>	-	Endless	-	130	70	23,8	3160
<b>5SJ2</b>	-	Endless	-	130	70	23,9	3065

**AMCO Veba**  
LIFTING BEYOND HORIZONS

**H.C.E. s.r.l.** unico socio  
Via Einstein, 4  
42028 Poviglio (RE) Italy  
Tel. +39 0522 40.80.11  
Fax +39 0522 40.80.80  
info@amcoveba.it  
commerciale@amcoveba.it  
www.amcoveba.com



Dealer